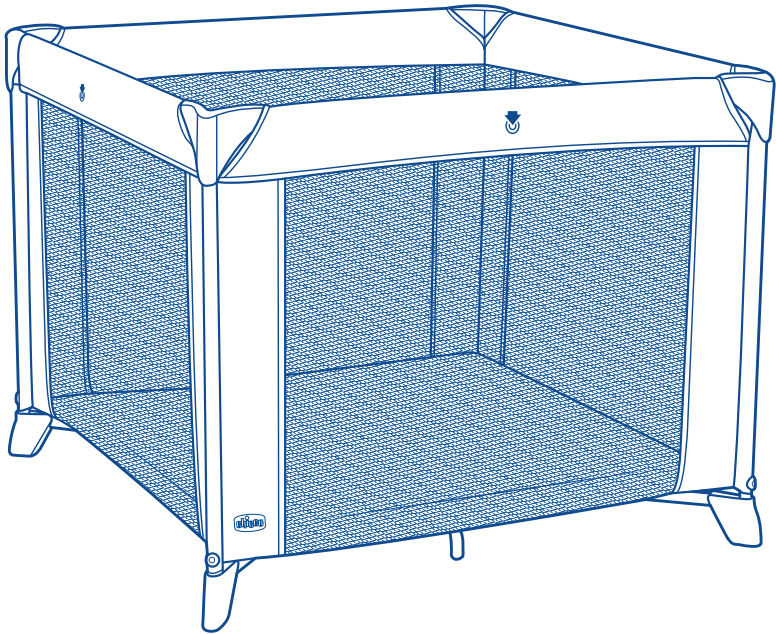




Read all instructions BEFORE
assembly and USE of product.
KEEP INSTRUCTIONS FOR
FUTURE USE.



Tot Quad™

Playpen

Owner's Manual



Failure to follow these warnings and the instructions could result in serious injury or death

- PLEASE READ THESE INSTRUCTIONS CAREFULLY TO ENSURE THE SAFETY OF YOUR CHILD.
 - ALWAYS PROVIDE THE SUPERVISION NECESSARY FOR THE CONTINUED SAFETY OF YOUR CHILD. WHEN USED FOR PLAYING, NEVER LEAVE CHILD UNATTENDED.
 - Playpen MUST be fully assembled with all top rails locked into position and the center floor hub pushed down. Make sure latches are secure.
 - DO NOT place child in playpen unless all top rails are securely locked into position and floor pad is in proper place. Infant may roll into space between pad and loose mesh sides causing suffocation.
 - Stop using this product when your child reaches 35 inches (89 cm) in height, weighs more than 30 lbs (14 kg), or is able to climb out.
 - Child can become entrapped and die when improvised netting or covers are placed on top of product. Never add such items to confine child in product.
 - Never use this product if there are any loose or missing fasteners, loose joints, broken parts, or torn mesh/fabric. Check before assembly and periodically during use. Contact Chicco for replacement parts and instruction if needed. Never substitute parts.
 - Although Chicco DOES NOT RECOMMEND refinishing this product, if you choose to refinish, use a nontoxic finish specified for children's products.
- SUFFOCATION HAZARDS - Infants can suffocate:**
- In gaps between a mattress too small or too thick and product sides
 - On soft bedding.
 - Use ONLY the mattress provided by Chicco. Never add a pillow, comforter, or another mattress for padding.
 - If a sheet is used with the pad, use only a fitted playpen sheet specifically designed to fit snug with at least 2" (5 cm) under all sides of the mattress. The sheet must allow proper use of the mattress retention straps.
 - DO NOT leave child in product with any side lowered. Be sure all sides are raised and locked in position whenever child is in product.
 - NEVER use plastic shipping bags as mattress covers. Do not use plastic film as mattress cover unless sold and intended for that purpose. They can cause suffocation.
 - DO NOT use a water mattress with this product.



Failure to follow these warnings and the instructions could result in serious injury or death

STRANGULATION HAZARDS:

- NEVER use additional mattresses, padding, sheets, or other objects that will permit your child to climb out, fall and/or be injured. If you choose to ignore this warning, then remove additional padding, large toy, and other objects that could serve as steps for climbing out when your child is able to pull to a standing position.
- Strings can cause strangulation! DO NOT place items with a string around child's neck (hood strings, pacifier cords, etc.) or attach strings to toys.
- DO NOT suspend strings on or over the playpen.
- DO NOT place the playpen near a window where cords from blinds or drapes can strangle a child.

OTHER HAZARDS:

- Keep playpen away from stoves, heaters, fireplaces and other hazards which can cause injury to your child.
- To reduce the risk of SIDS (Sudden Infant Death Syndrome), pediatricians recommend healthy infants be placed on their back to sleep unless otherwise advised by a physician.
- DO NOT place more than one child in playpen.
- DO NOT move or fold playpen with child in it - child could be injured.

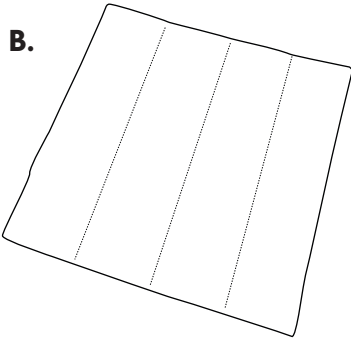
Parts List

A.



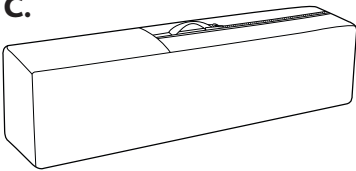
A. - Tot Quad Frame

B.



B. - Mattress Pad

C.



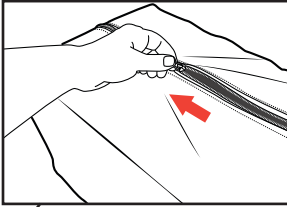
C. - Carry Bag

Setting Up the Playpen

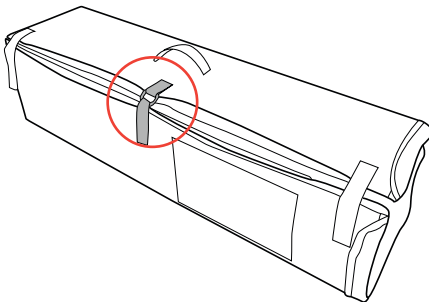
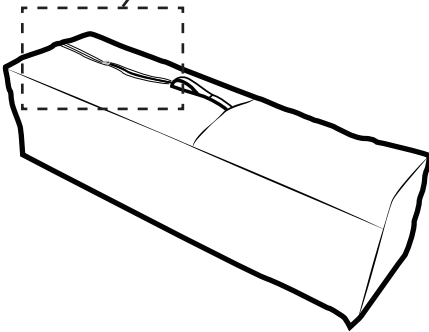
⚠️ WARNING

Before use remove and dispose of any plastic bags and keep them out of reach of children to avoid the danger of suffocation. Failure to follow these warnings and instructions could result in serious injury or death. Make sure top rails are locked and secure with the center floor hub pushed down before use. This product requires adult assembly. Keep fingers clear of top corners during setup.

1

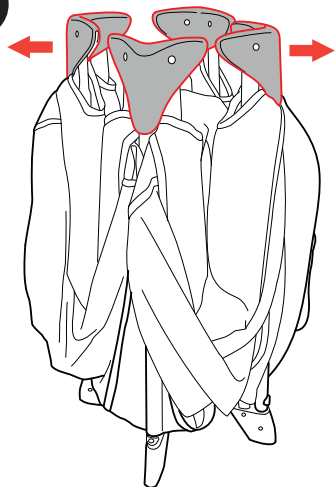


1. Remove Tot Quad from the Carry Bag. Undo the hook and loop strap on the Mattress Pad and remove the Tot Quad frame.



Setting Up the Playpen

2

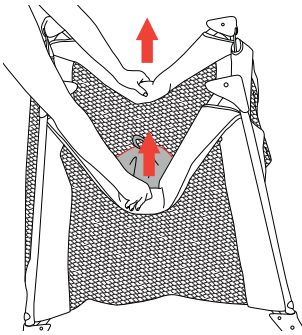
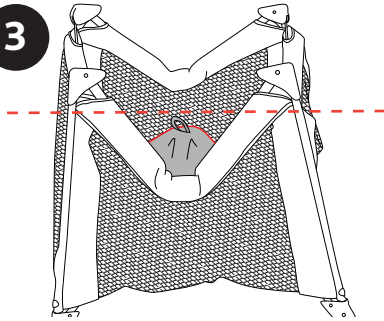


2. With the Tot Quad Frame standing upright, pull the corners apart as shown.

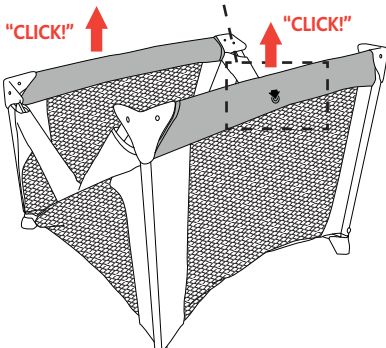
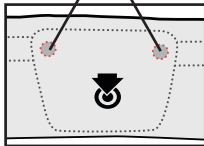
If needed, pull up on the center floor hub release strap to lift the floor.

Setting Up the Playpen

3



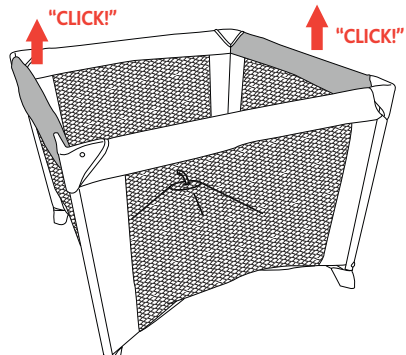
Pivots



3. The center floor hub must be pulled up to allow the top rails to lock.

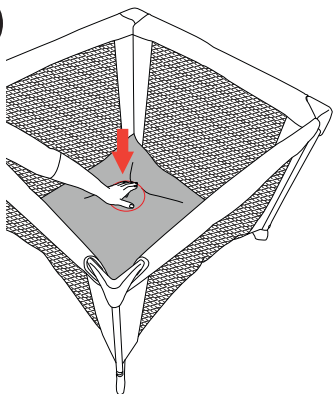
With the center hub raised even with the 4 corners, pull up on the top rail center joint to lock them into the open position. Each top rail center joint has two pivots. Both sides of the joint must lock for the top rail to stay open. Repeat for all four top rails.

This step is very important for the safety of your child. Make sure the center hub is still pulled up during this step or the side rails will not latch.

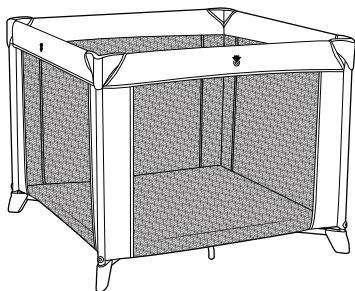


Setting Up the Playpen

4

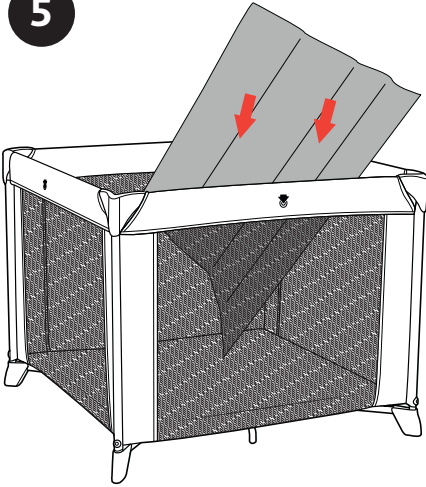


4. Push down on the center floor hub until the bottom of the playpen is flat.

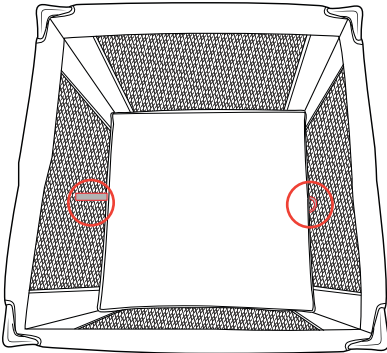


Setting Up the Playpen

5



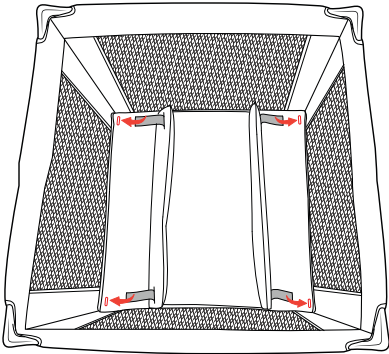
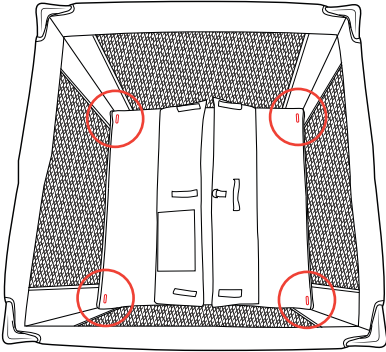
5. Install Mattress Pad, padded side up. Do not use playpen without Mattress Pad and make sure to fold hook and loop strap and D-ring underneath Mattress Pad. Secure the Mattress Pad corners to the frame as shown in steps 6-7.



Setting Up the Playpen

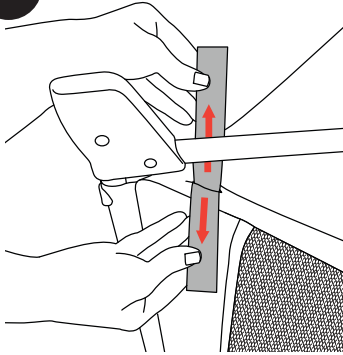
6

6. Locate 4 Mattress Pad strap holes on the floor of the playpen. Thread the 4 hook and loop straps through to the floor of the playpen as shown.

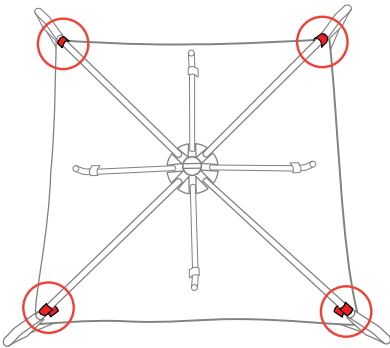
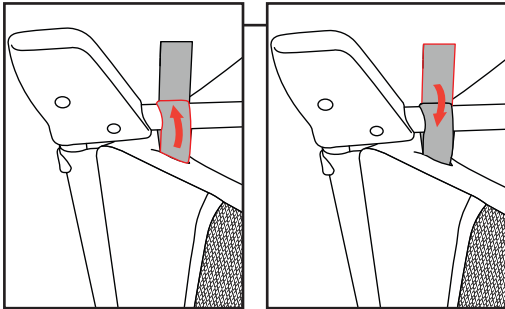


Setting Up the Playpen

7

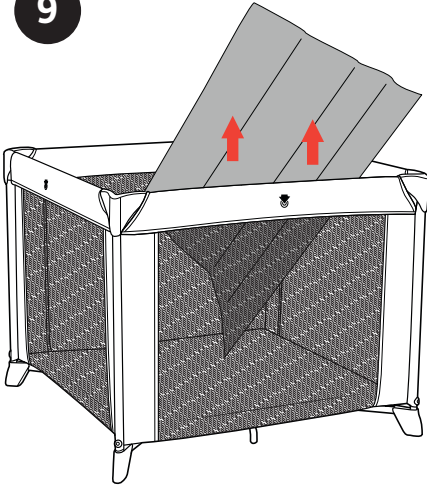


7. Turn the playpen on its side and pull the straps through the floor of the playpen. Thread the straps through the slot in the playpen floor as shown. Pull hook and loop strap tight and then attach together to secure Mattress Pad. Do this for all 4 mattress corners. Pull up on mattress pad to make sure it is secure.

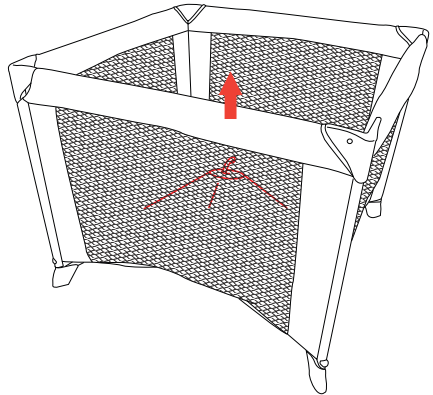
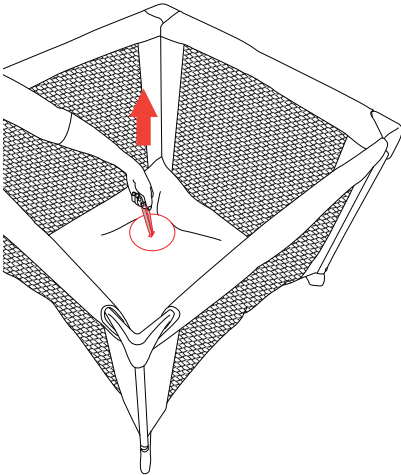


Packing Up the Playpen

9

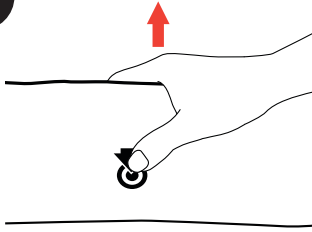


9. Undo the hook and loop straps from the frame and remove Mattress Pad from playpen. Pull up on the center floor hub release strap and lift the center hub up as far as possible.

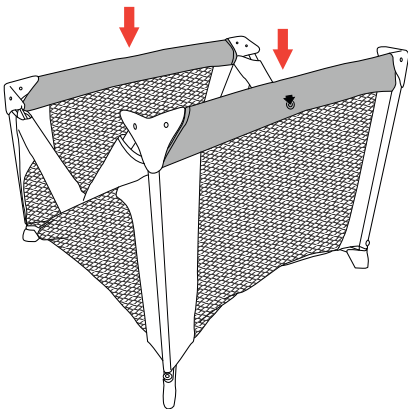
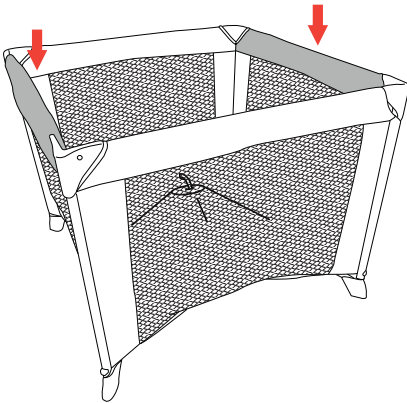


Packing Up the Playpen

10



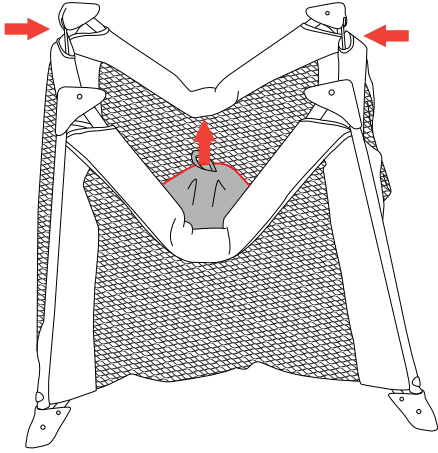
10. Lift and squeeze the Top Rail center release lock, then push down. Release all of the Top Rail locks on all 4 sides. If the Top Rail does not unlock pull up on the center hub. Center floor hub must be even with top rails.



Packing Up the Playpen

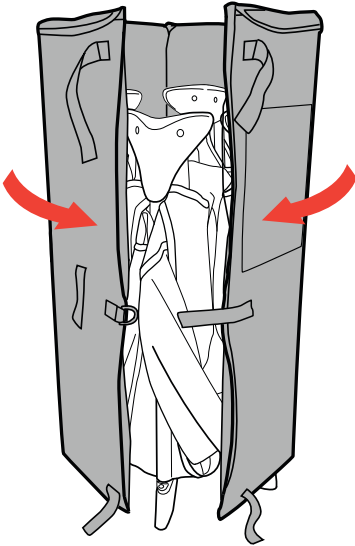
11

11. Pull up on the center floor hub release strap and pull the playpen legs towards the center.

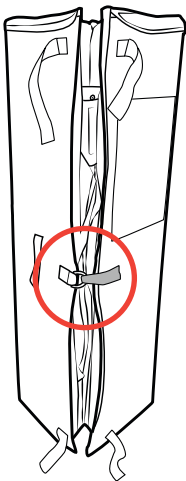


Packing Up the Playpen

12

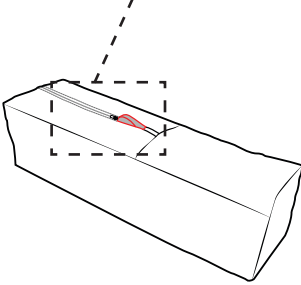
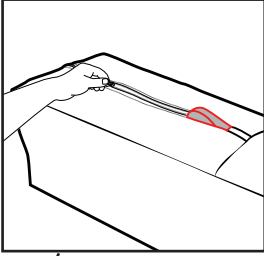


12. Turn unit upright with feet on the floor. Wrap Mattress Pad around folded playpen. Thread fastening strap through ring on Mattress Pad.



Packing Up the Playpen

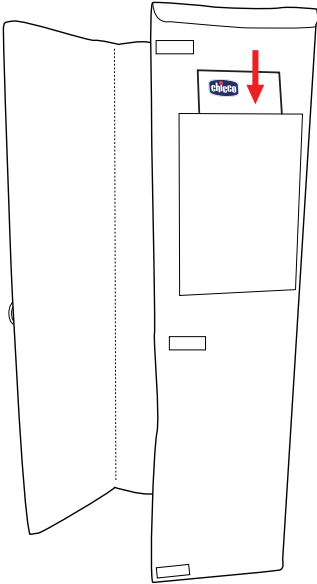
13



13. Place the playpen in the Carry Bag. Pull up the sides of the Carry Bag and close the zipper. Make sure the Handle on the Mattress Pad is out.

Packing Up the Playpen

14



14. To keep instructions for future use: Place the manual in the storage sleeve located on the underside of the Mattress Pad.

Trouble Shooting Guide

TOP RAILS FAIL TO LOCK INTO AN UPRIGHT POSITION :

Before top rails can be locked, the center floor hub must be pulled up as high as the 4 corners. If needed, pull up on the center floor hub release strap. If necessary, pull the release strap up with one hand and lock rails one at a time. If you are still unable to lock the top rails, call Chicco Customer Service (pg. 20).

THE FLOOR JOINTS DO NOT FLATTEN:

Turn playpen upside down and make sure joints are free from foreign objects.

TOP RAILS DO NOT UNLOCK TO FOLD:

Lift top rail first, then squeeze to release. Before top rails can be unlocked, the center floor hub must be pulled up. If needed pull up on the center floor hub release strap as high as the 4 corners.

FLOOR JOINTS DO NOT UNLOCK:

Pull up on the center floor hub release strap to unlock floor joints.

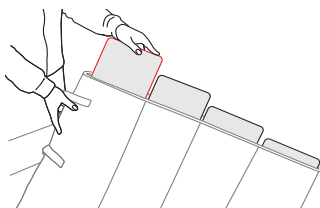
FOLDED PLAYPEN DOES NOT FIT INTO MATTRESS PAD:

Pull up on the center floor hub release strap and gather playpen legs towards the center to make the playpen more compact. If necessary, shift playpen lower on pad or turn slightly and try again.

Cleaning and Maintenance

This product requires regular maintenance. The cleaning and maintenance of the playpen must only be carried out by an adult.

The mattress cover can be washed. Remove the boards from the mattress cover as shown prior to washing.



Locate and undo the hook and loop flap on the mattress cover. Remove all of the floor boards and set them aside.

Do not immerse the wooden boards in water. Wipe clean with a damp cloth and mild detergent (do not use bleach).

CLEANING

Please refer to the care label for instructions on cleaning the fabric parts of the playpen.

Periodically wipe clean plastic parts with a soft damp cloth. Always dry the metal parts to prevent the formation of rust if the playpen has come into contact with water.

MAINTENANCE

Periodically check the playpen for loose screws, worn parts, torn material or stitching. Replace or repair the parts as needed. Use only Chicco replacement parts. Keep the playpen in a dry place. If playpen becomes wet open playpen and allow to dry completely. Prolonged exposure to direct sunlight may cause the fabric to fade and plastic parts to warp.

For More Information

If you have any questions or comments about this product, or are missing any of the parts please do not return this product to the store. Contact us in one of the following ways:



(877)-424-4226



info.usa@artsana.com



www.chiccousa.com



1826 William Penn Way
Lancaster, PA 17601



www.chiccousa.com