

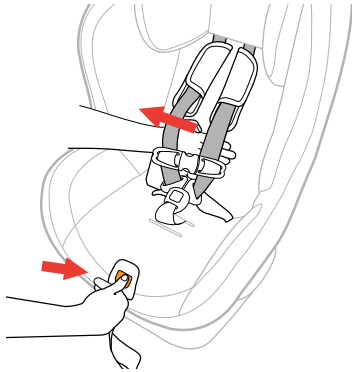


⚠️ WARNING: Avoid serious injury or death to your child. Never use your NextFit iX Zip Child Restraint without the softgoods in place. You must read and understand the Softgood Removal instructions and the instructions in the User Guide. If you do not understand these instructions, **DO NOT** attempt to remove the softgoods, **STOP** and call Chicco at 1-877-424-4226.

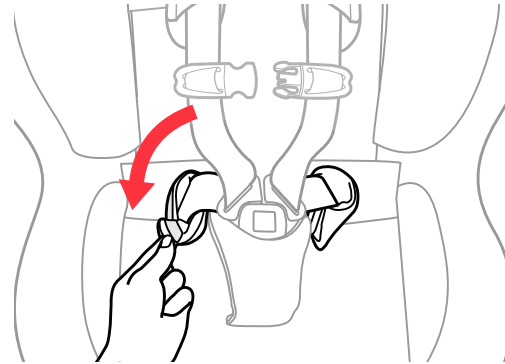
SS0004.A.E

INSTRUCTIONS: NextFit iX Zip Softgood Removal

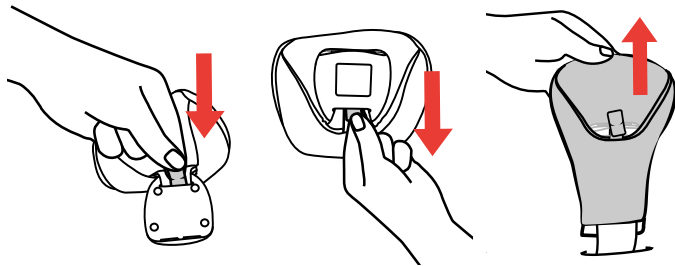
IMPORTANT: Please also refer to the instructions that came with your product.



1 Press the **Harness Adjuster Button** and loosen the Harness Straps.

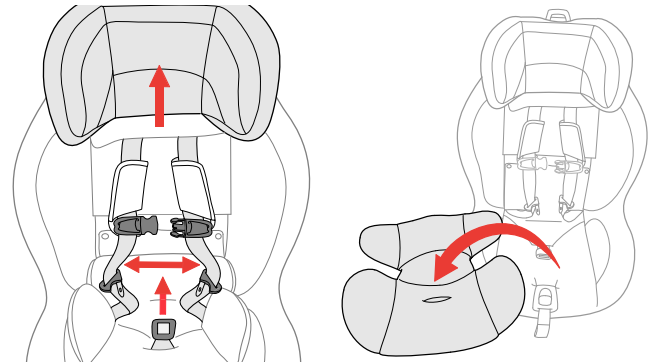


2 Undo the **hook and loop fasteners** on **BOTH** sides of the Comfort Kit.

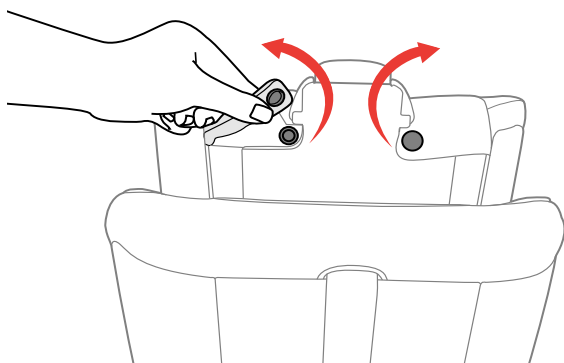


3 Remove the **Crotch Strap Pad** by pushing the fabric Tab through the slot on the **BACK** of the Harness Buckle. Then pull Tab out of the **FRONT** and remove Crotch Strap Pad.

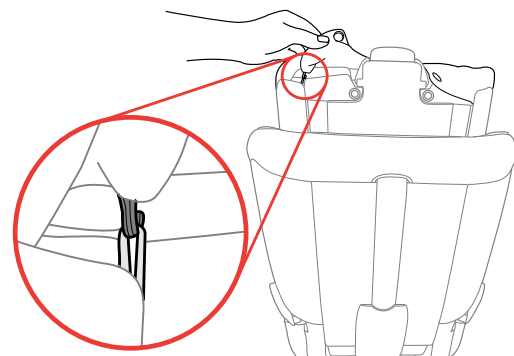
IMPORTANT! If Crotch Strap Pad prevents harness from properly fitting small Infant, it should be removed.



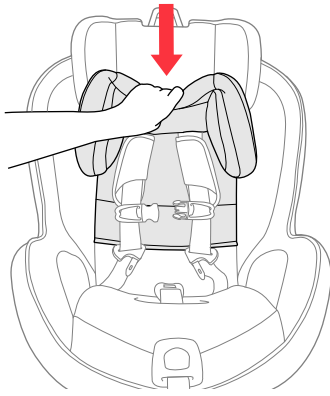
4 Undo the **buckle and chest clips** and raise the Head Rest to the highest position. Remove the optional Newborn Insert. Refer to User Guide if needed.



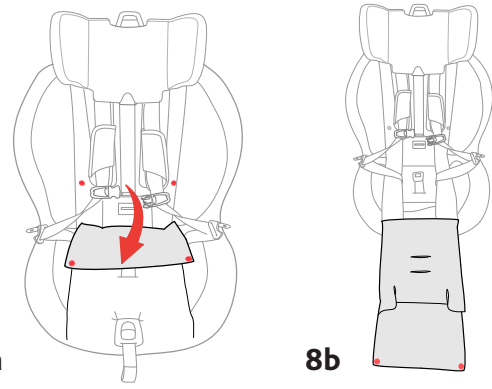
5 Unsnap **Head Rest pad** on both sides.



6 Pull up on **Head Rest fabric** to reveal two elastic loops. Unhook both elastic loops.



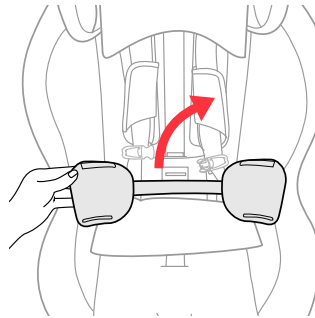
7 Pull Head Rest pad down to remove.



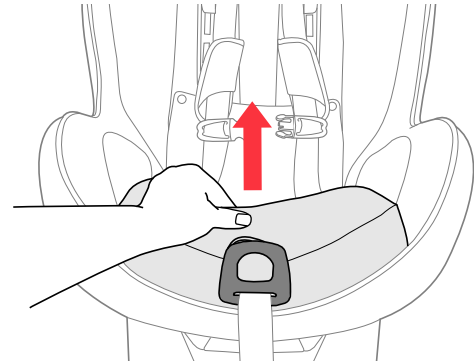
8a

8b

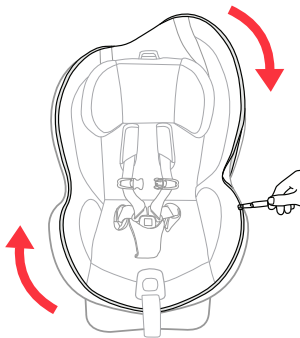
8 Unsnap Seat Bottom Panel (8a) and pull forward (8b).



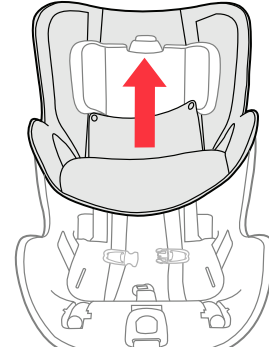
9 Remove the Comfort Kit.



10 Pull the FABRIC around the Harness Adjuster Strap Cover. Note: The plastic Harness Adjuster Strap Cover is NOT removable.

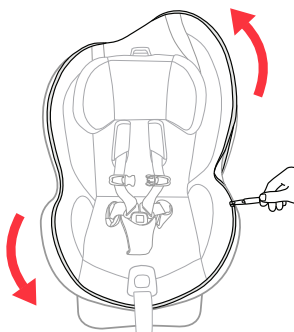


11 Locate the Zipper Tab at the top of the Child Restraint and unzip all the way around.

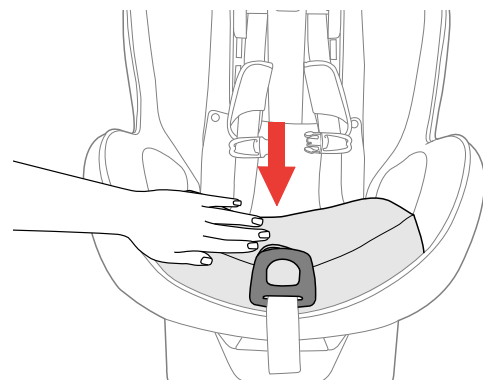


12 Remove the seat pad from the Child Restraint. Make sure to gently guide the Seat Pad around the Head Rest. **WARNING - NEVER use Child Restraint without the seat pad.**

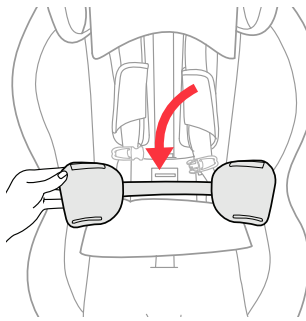
TO RE-ATTACH THE FABRIC:



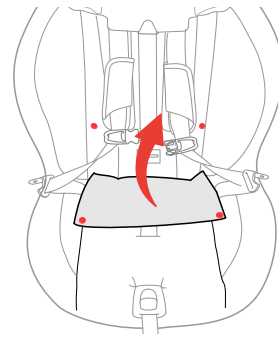
13 Replace the Seat Pad - Repeat step 12 in REVERSE. Then zip Seat Pad onto the Child Restraint.



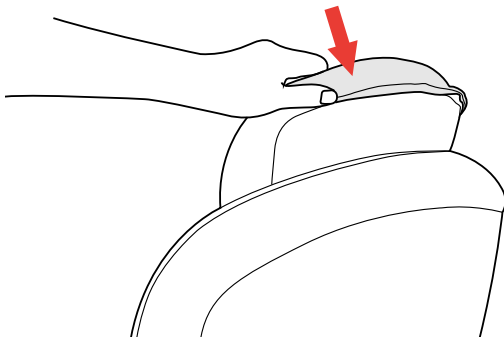
14 Tuck the seat pad around the Harness Adjuster Strap Cover



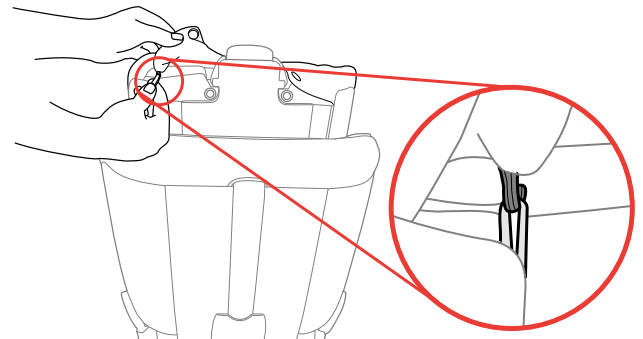
15 Place the **Comfort Kit** into the seat shell before re-attaching the **Seat Bottom Panel**.



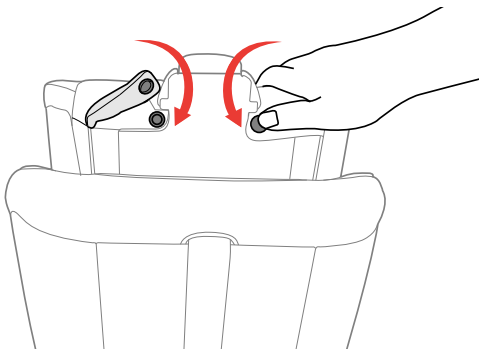
16 Wrap the harness around the **Seat Bottom Panel** and feed the **Crotch Buckle** back through the seat pad. Then snap the **Seat Bottom Panel** back into place.



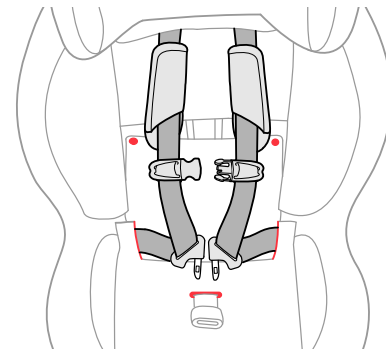
17 Wrap **Head Rest Pad** around the **Head Rest**. Push the **Head Rest Pad** into the outer head rest contour.



18 Pull elastic loops around the **Head Rest**. Attach the elastic loop onto the hook located at the top of the **Head Rest** fabric repeat for the other side.



19 Snap **Head Rest Pad** on both Sides.



20 Repeat steps 1 thru 4 in **REVERSE**.

IMPORTANT Final Check! Make sure **Shoulder Pads**, **Chest Clip**, and **Buckle Tongues** are oriented as shown. Check to make sure **Harness Straps** are flat and not twisted when buckled! Check to make sure the **Crotch Strap Buckle** is threaded correctly through the opening on the **Seat Bottom panel**. Refer to **User Guide** if necessary.

Cleaning Instructions:

Fabrics may be spot-cleaned with mild soap and warm water, or machine washed in cold water on delicate cycle using mild detergent. Hang to dry. **DO NOT BLEACH.** Please consult your product manual for additional care and maintenance instructions.

The shoulder pads on the NextFit iX Zip can be easily spot cleaned with warm water and mild soap. If necessary the shoulder pads may be removed for cleaning. However, never use the Child Restraint without the shoulder pads in proper position. Like the seat pad, shoulder pads may be machine washed in cold water on delicate cycle using mild detergent. Hang to dry. Contact Chicco Customer Service at **1-877-424-4226** for assistance or additional information.