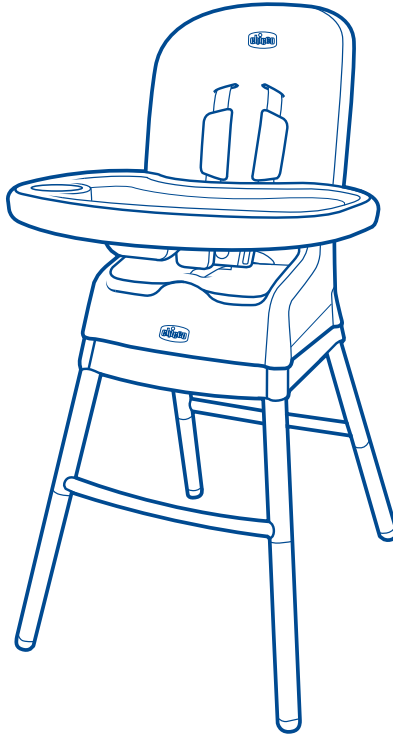




Read all instructions BEFORE
assembly and USE of product.
KEEP INSTRUCTIONS FOR
FUTURE USE.



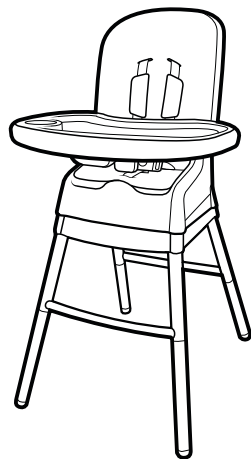
Stack[®] Hi-Lo

6-in-1 Multi-Use High Chair

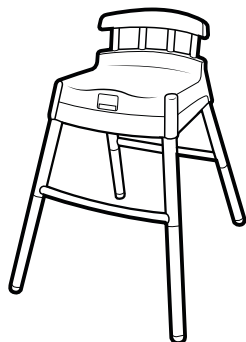
Owner's Manual

⚠ WARNING Failure to follow the warnings and the instructions throughout this booklet could result in serious injury or death. Each mode has specific warnings, make sure to read and understand the warnings in each mode.

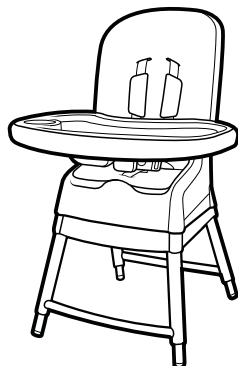
This product can be used in the following modes:



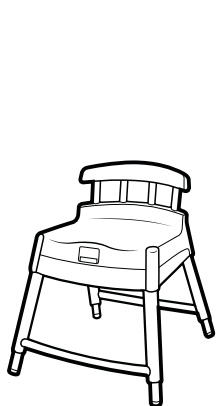
HIGH CHAIR



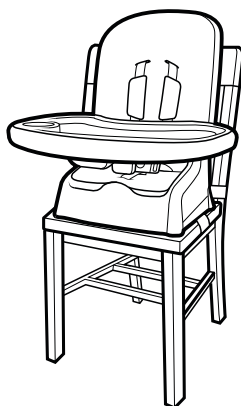
YOUTH STOOL



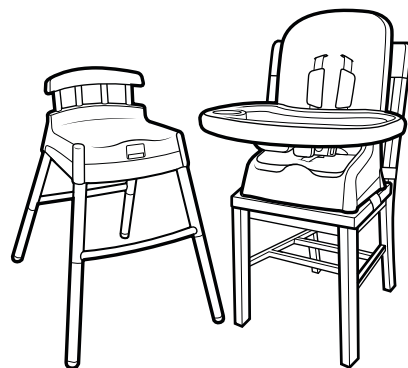
LOW CHAIR



TODDLER CHAIR



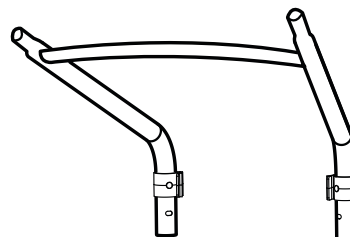
BOOSTER CHAIR



BOOSTER + STOOL COMBO

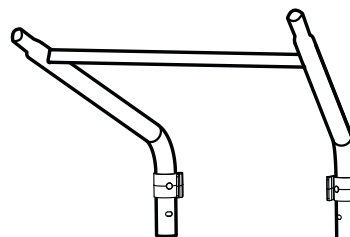
Components

A.



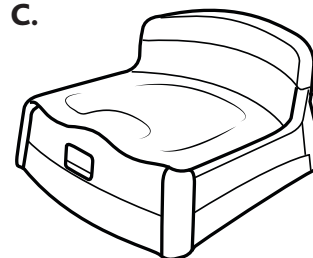
A. Front Legs

B.



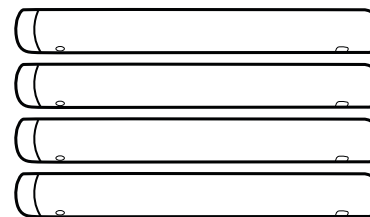
B. Rear Legs

C.



C. Youth Stool Base

D.

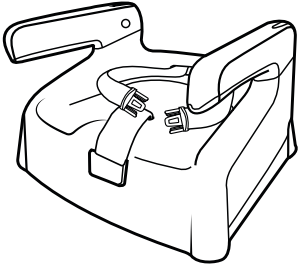


D. Bottom Legs
Located underneath the Youth Stool Base.

Components

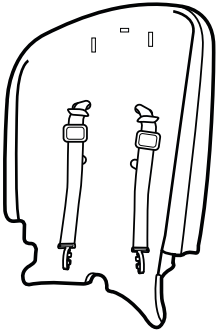
E.

E. Seat Base



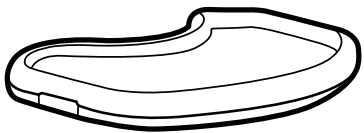
F.

F. Backrest



G.

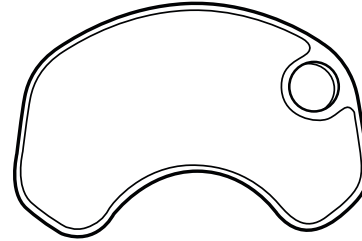
G. Tray



Components

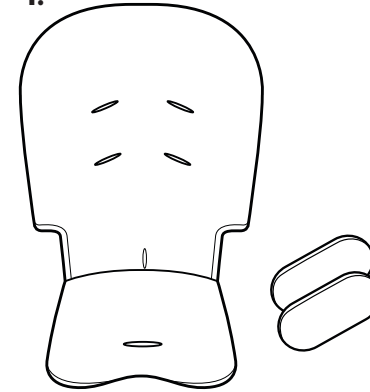
H.

H. Tray Liner



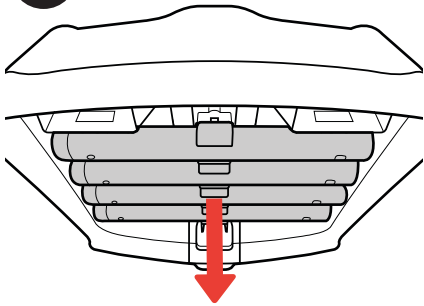
I.

I. Seat Pad and Shoulder Pads



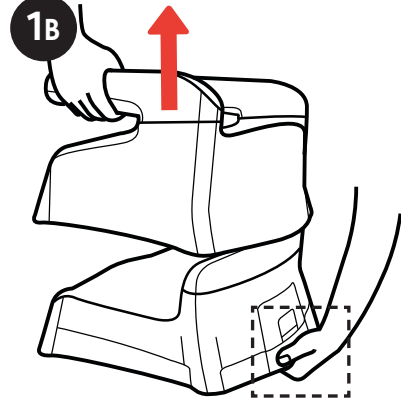
Assembly

1A

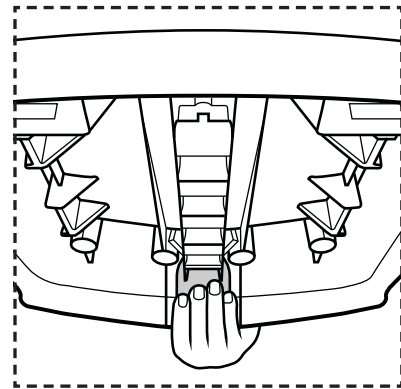


1A. Locate the Bottom Legs underneath the Youth Stool Base and remove the Bottom Legs from the clips.

1B

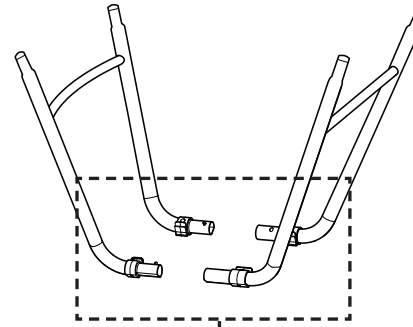


1B. Remove the Seat Base from the Youth Stool Base by squeezing the handle on the underside of the Youth Stool Base and pulling up.



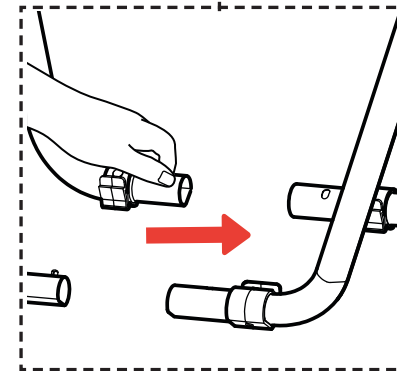
Assembly

2

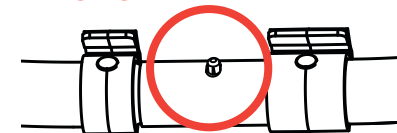


2. Attach the Front Legs to the Rear Legs by pushing in on the pins on either side and sliding the Legs together.

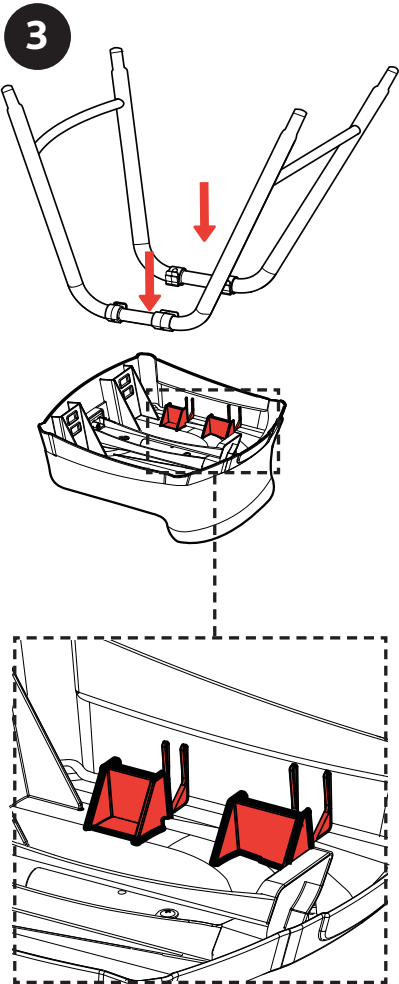
Make sure the Legs are securely attached and both pins on either side of the Legs are engaged.



"CLICK"



Assembly



3. Place the Youth Stool Base onto the floor with the underside of the base facing up.

Position the Legs so that the Front Legs (curved bar) are at the front of the Youth Stool Base.

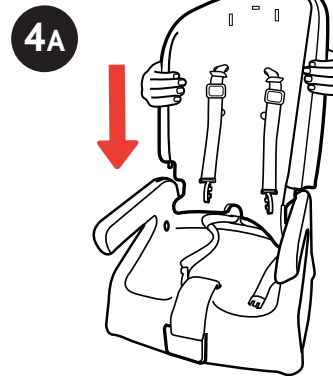
Then Line up the Legs with the grooves on the underside of the Youth Stool Base and snap the Legs into the Youth Stool Base.

The Legs cannot be removed once installed. Make sure the Legs are securely attached to the Youth Stool Base by pulling up on the Legs.

Backrest Assembly

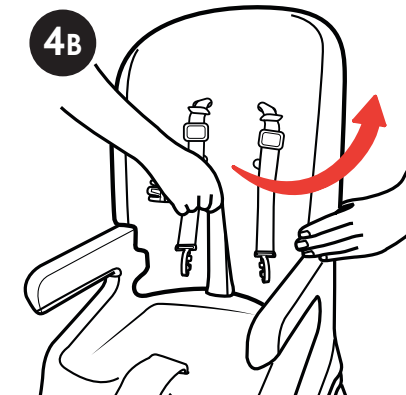
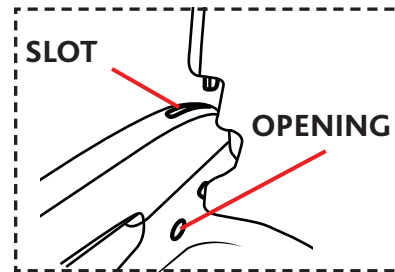
⚠ WARNING

Avoid falls. Never use in high chair mode without backrest attached.



4A. To attach the Backrest to the Seat Base insert one side of the Backrest into the slot and opening on the inside of the Base.

You may need to squeeze the recline handle on the back of the Backrest when inserting the Backrest into the slot and opening.

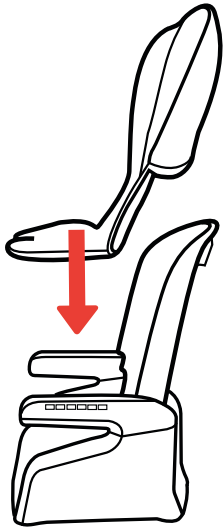


4B. Pull the waist straps up out of the way and then pull back on the Backrest until the other side snaps into place.

Make sure the Backrest is attached securely by pulling up on both sides of the Backrest.

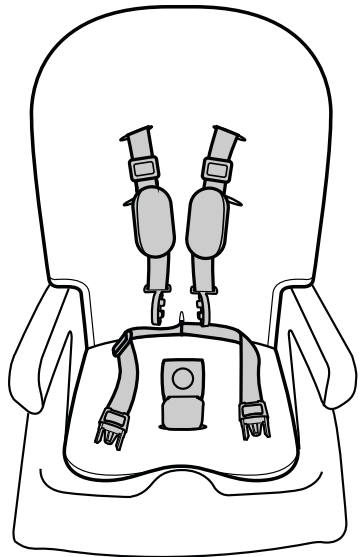
Seat Pad Assembly

5



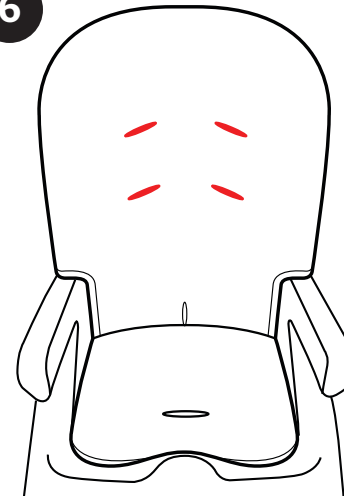
5. Attach the Seat Pad and thread the Harness Straps through the corresponding slots on the Seat Pad.

Attach both of the Shoulder Pads to the Shoulder Straps as shown.



Seat Pad Assembly

6

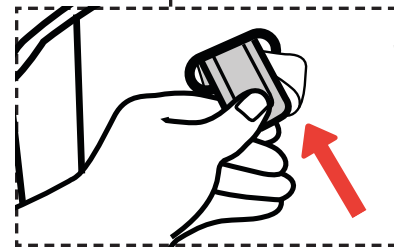
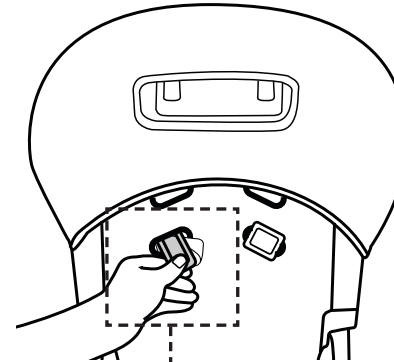


6. To provide a better fit for your child the Shoulder Straps can be adjusted to two heights on the Backrest as shown.

Choose the slot at or slightly above your child's shoulder level.

To adjust the Shoulder Straps push the D-ring through the slot on the back of the Backrest.

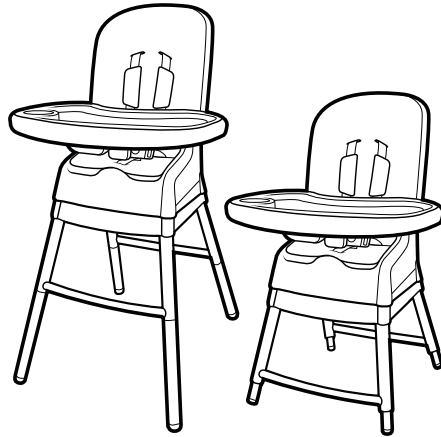
Always make sure the Shoulder Straps are adjusted to the same height on each side and that both Shoulder Straps are secure.



⚠️ WARNING

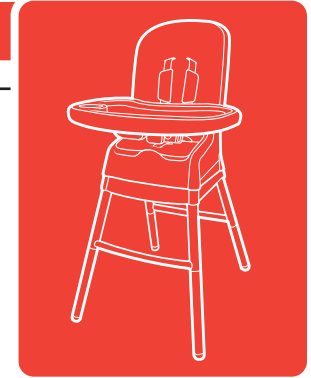
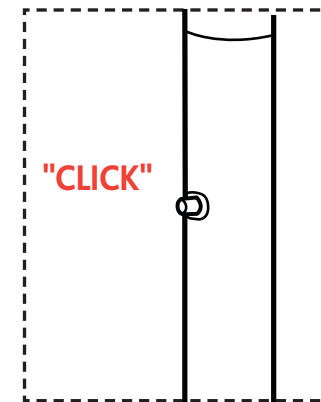
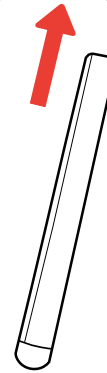
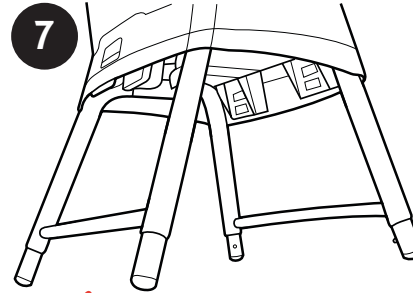
HIGH CHAIR USE

- **FALL HAZARD:** Children have suffered severe head injuries including skull fractures when falling from high chairs. Falls can happen suddenly if child is not restrained properly.
- Always use restraints, and adjust to fit snugly.
- Tray is not designed to hold child in chair.
- Stay near and watch child during use.
- Never leave child unattended.
- The child should be secured in the high chair at all times by the restraint system, both in the reclined and upright positions.
- It is recommended that the high chair be used only by children capable of sitting upright unassisted.
- Avoid falls. Never use in high chair mode without backrest attached.
- Always place the high chair on a horizontal, stable surface. Do not move chair with child in it.
- In High Chair mode, the high chair is recommended for children who can sit upright unassisted OR weigh over 20 lbs (9kg) and are not more than 36 months old or 40 lbs (18kg).



- When using the high chair, do not place your child near objects that he or she can push against to overturn the high chair.
- Do not use the product if any part is broken, torn, or missing.
- Ensure that all components are correctly fitted and adjusted before use.
- To avoid the danger of suffocation, remove all plastic covers before using the product.
- Do not leave the product near walls, curtains, or windows, where the child can become entangled.
- Do not attach any parts to the product that are not supplied or expressly approved by Chicco.

HIGH CHAIR Mode

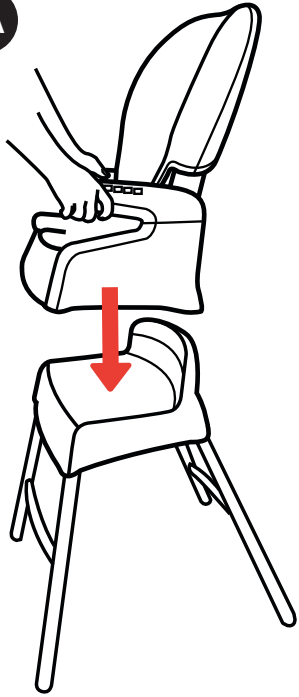


7. Attach the Bottom Legs by pushing in on the pin and sliding the Legs together.

Make sure the Legs are securely attached and the pins are engaged.

HIGH CHAIR Mode

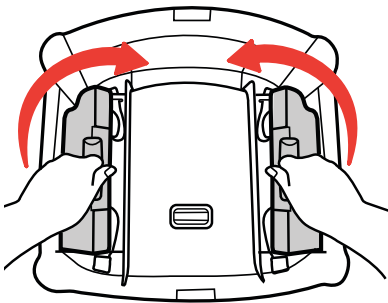
8A



8A. Attach the Seat Base onto the Youth Stool Base by pushing it down until it snaps into place.

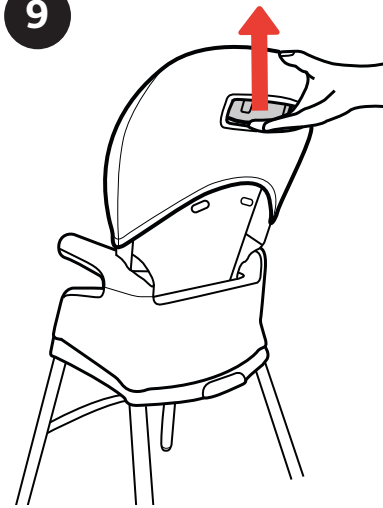
Make sure the both Strap Compartments (under the Seat Base 8B) are closed before attaching.

8B



HIGH CHAIR Mode

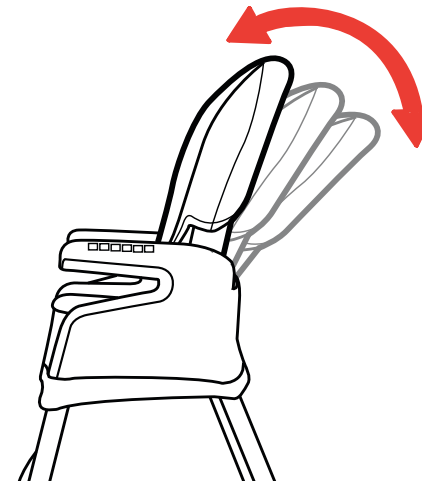
9



9. The Backrest can be adjusted to 3 different positions. To adjust the Backrest pull up on the recline handle on the back of the Backrest and push forward or backwards and then release to lock it into place.

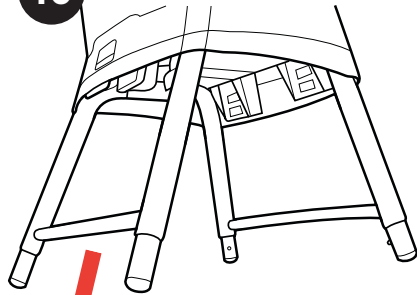
Refer to steps 21-23 on attaching and storing the Tray.

See steps 15-20 on securing your child with the Safety Harness.

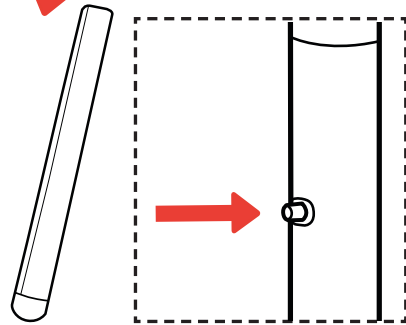


LOW CHAIR Mode

10



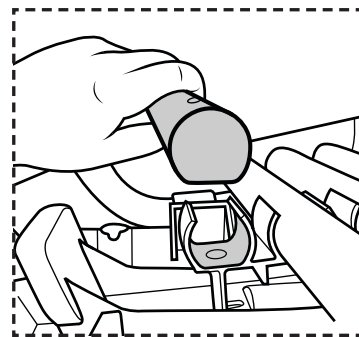
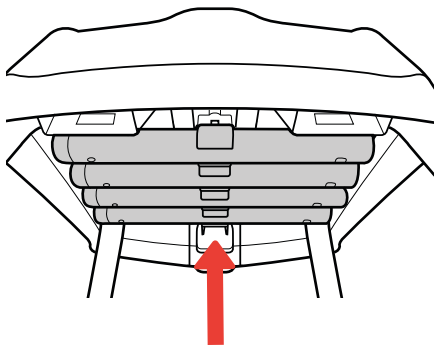
10. Remove the Bottom Legs by pushing in on the pin and sliding the Legs apart.



Store the Bottom Legs in the clips underneath the Youth Stool Base. Making sure the flat side of the Lower Leg goes against the inside of the clip.

Refer to steps 21-23 on attaching and storing the Tray.

See steps 15-20 on securing your child with the Safety Harness.

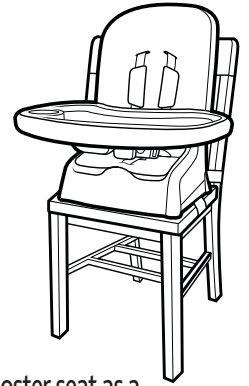


! WARNING

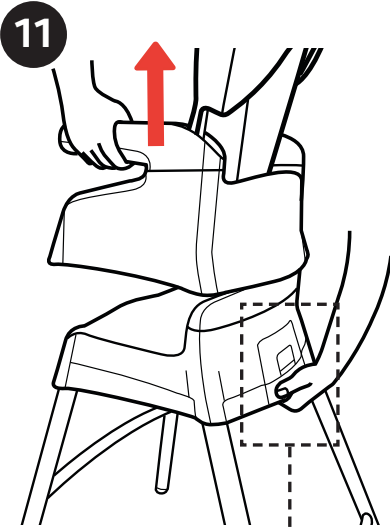
BOOSTER SEAT USE

Children have suffered severe head injuries, including skull fractures, after falling with or from boosters.

- Check that booster seat is securely attached to adult chair before each use.
- Always use restraints until child is able to get in and out of booster seat without help. Adjust to fit snugly.
- Never allow child to push away from table.
- Never lift and carry child in booster seat.
- Stay near and watch your child during use.
- Until child is able to get in and out of the booster seat without help (about 2 1/2 years old), the child should be secured in the booster seat at all times by the restraint system. The tray is not designed to hold the child in the chair.
- Never allow child to sit in unsecured chair. Always secure the booster seat to chair using both attachment straps. Always check that the attachment is secure before each use.
- Prevent serious injury or death. Do not use in motor vehicles.
- It is recommended that the booster seat be used in the upright position only by children capable of sitting upright unassisted. Do not recline the back in booster seat mode.
- In booster seat mode, do not use for children weighing more than 50 lbs (23 kg).
- Do not use this booster seat as a standalone chair, it can only be used when strapped to a full sized dining room chair.
- Do not use on any elevated surface other than a full sized dining room chair.
- Never fit the booster seat to damaged or unstable chairs, folding chairs, pedestal chairs or bar stools.
- Only use on chairs with a seat at least 15 inches wide, 14 inches deep, and a backrest at least 12 inches high.
- Always check that the surface of the floor is even and the chair is stable before fitting the booster seat to the chair.
- Do not use the product if any part is broken, torn, or missing.
- Ensure that all components are correctly fitted and adjusted before use.
- To avoid the danger of suffocation, remove all plastic covers before using the product.
- Do not leave the product near walls, curtains, or windows, where the child can become entangled.
- Do not attach any parts to the product that are not supplied or expressly approved by Chicco.

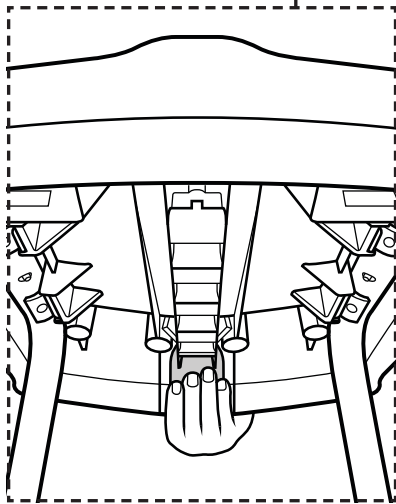


BOOSTER CHAIR Mode

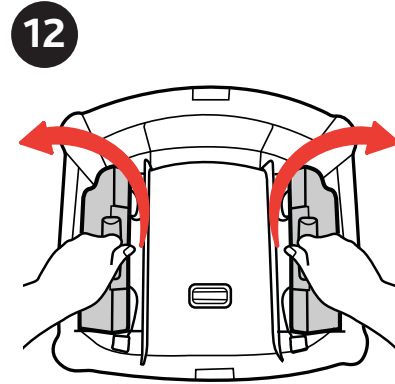


11. Make sure the Backrest is in an upright position.

Remove the Seat Base from the Youth Stool Base by squeezing the handle on the underside of the Youth Stool Base and pulling up on the Seat Base.



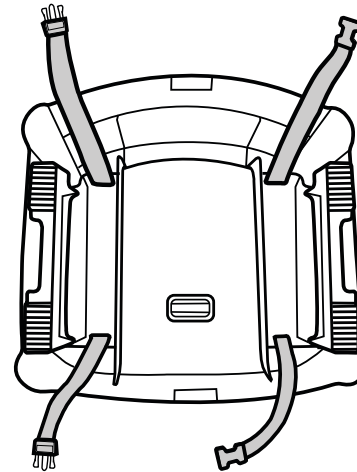
BOOSTER CHAIR Mode



12. Flip the Seat Base over and pull open the strap compartments on bottom.

Remove both the Rear and Lower Booster Seat Straps from the compartments.

Keep both compartments open.

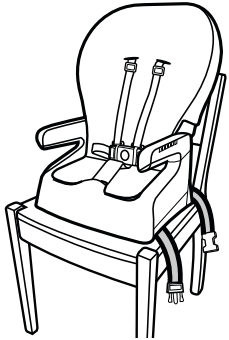


BOOSTER CHAIR Mode

⚠ WARNING

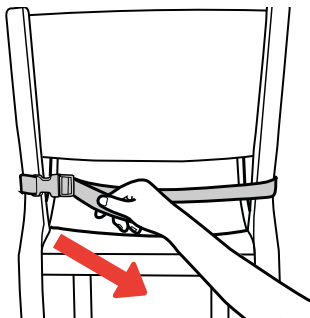
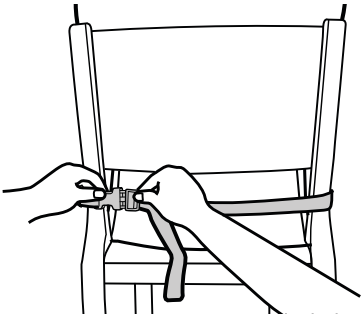
It is recommended that the booster seat be used in the upright position only by children capable of sitting upright unassisted. Do not recline the back in booster seat mode.

13

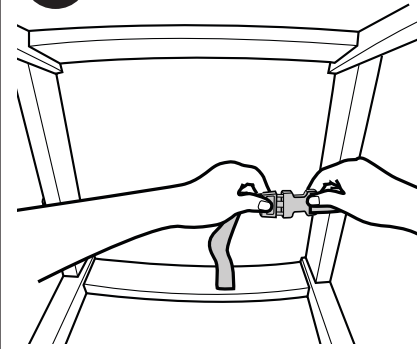


13. Center the Seat Base on the chair, making sure it is against the chair's back.

Fasten the Rear Booster Seat Straps, passing them behind the back of the chair. Pull the Rear Booster Seat Strap to tighten.

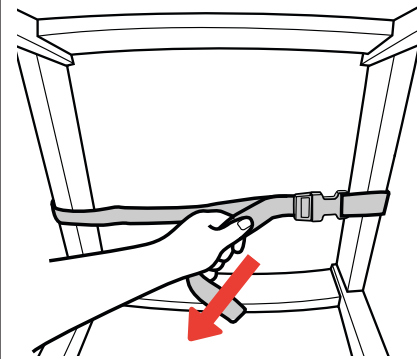


14



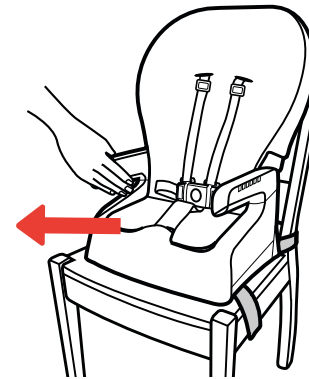
14. Fasten the Lower Booster Seat Straps, passing them underneath the seat. Pull the Lower Booster Seat Strap to tighten.

Pull on the Seat Base and make sure the Booster Seat Straps do not become loose. If they become loose, reposition and retighten the Lower and Rear Booster Seat Straps to make sure they do not become loose.



Refer to steps 21-23 on attaching and storing the Tray.

See steps 15-20 on securing your child with the Safety Harness.

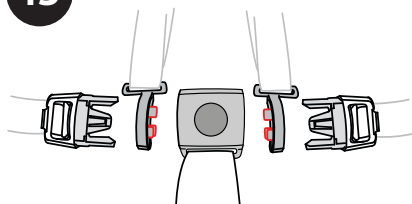


Adjusting Safety Harness

⚠ WARNING

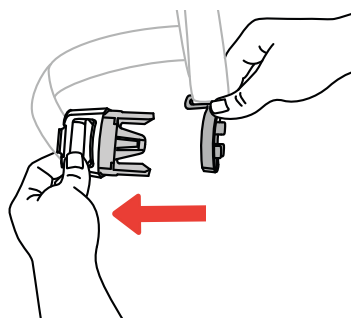
Prevent serious injury or death from sliding out, falls, or tipping over. Always secure child in the restraint. Never leave child unattended. The tray is not designed to hold the child in the chair.

15

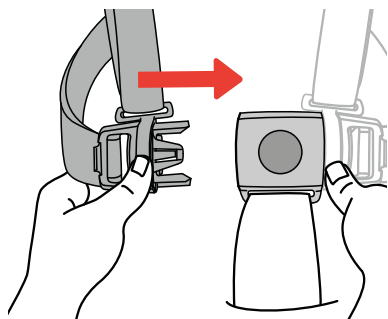


15. The High Chair has a 5-point safety harness. The Shoulder Strap Connector is designed to break away from the Waist Clip when not secured in the Crotch Strap Buckle.

Make sure the Shoulder Strap Connector is in the correct position, as shown. Slide the Shoulder Strap Connector onto the Waist Strap Clip and repeat for the other side.

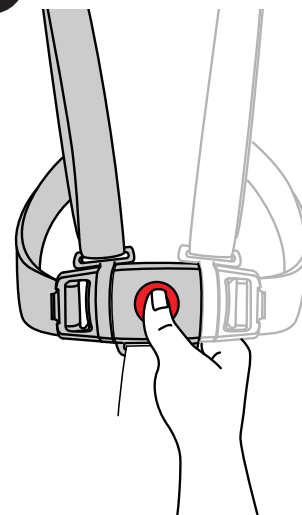


Then slide both Waist Clips into the Crotch Strap Buckle as shown. Pull on both sides to make sure the Clips are secured to the Buckle.



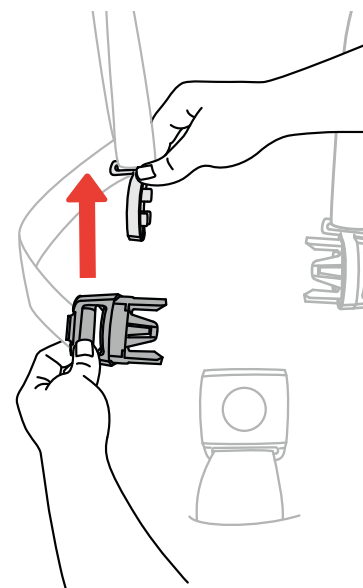
Adjusting Safety Harness

16



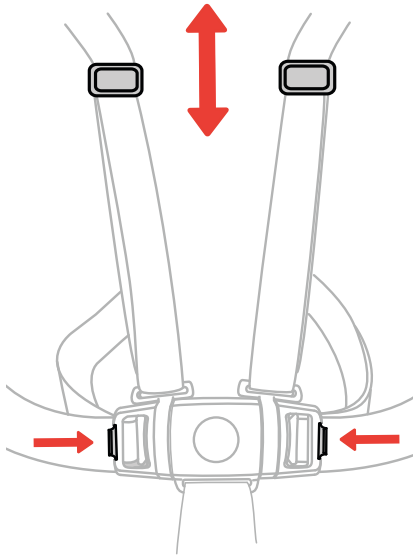
16. The safety harness can be released by pressing the button on the center of the Crotch Strap Buckle and pulling both Waist Clips out.

Pull on the Shoulder Strap Connector to remove it from the Waist Strap Clip.



Adjusting Safety Harness

17

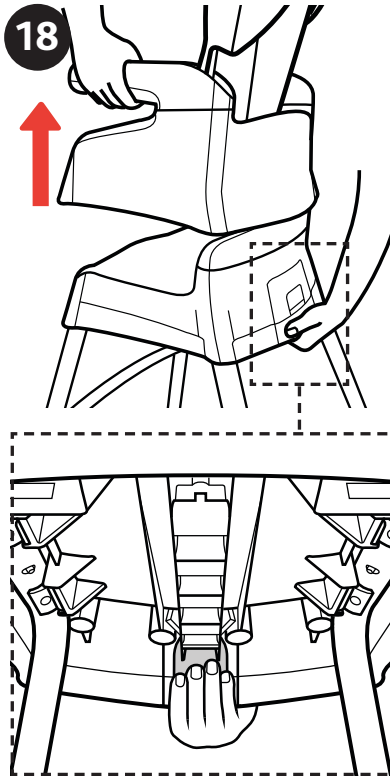


17. The length of the Shoulder Straps can be adjusted by pulling on the adjustment buckles to tighten or loosen.

The length of the Waist Straps can be adjusted by pressing the tab at the end of the Waist Strap Clip and pulling on the strap to tighten or loosen to better fit your child.

Adjusting Safety Harness

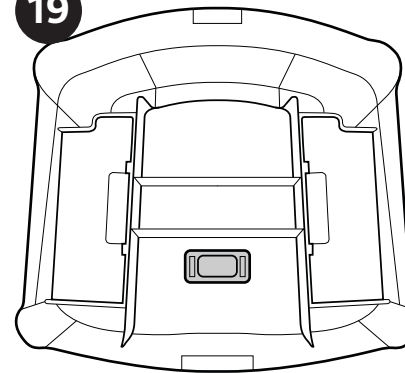
18



18. The length of the Crotch Strap can be adjusted.

Remove the Seat Base from the Youth Stool Base by squeezing the handle on the underside of the Youth Stool Base and pulling up on the Seat Base.

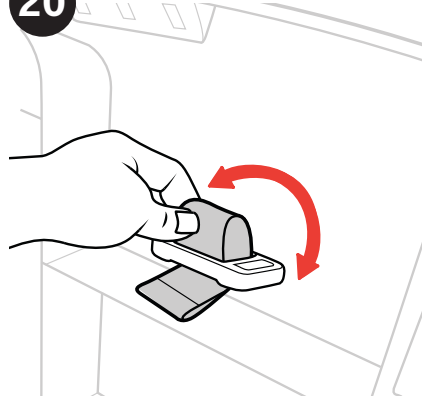
19



19. Locate the Crotch Strap adjustment buckle on the underside of the Seat Base.

Adjusting Safety Harness

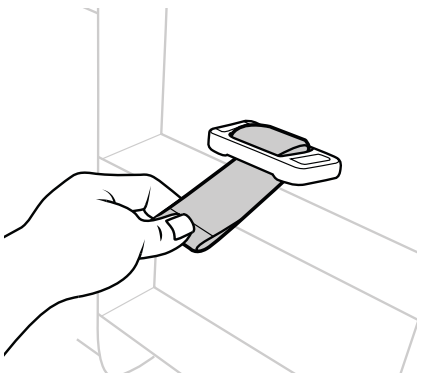
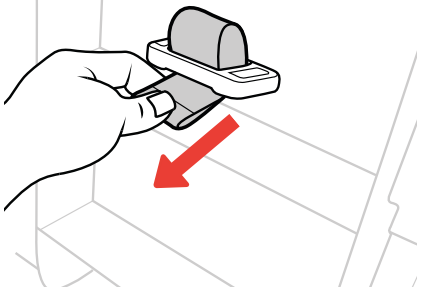
20



20. Adjust the Crotch Strap length by pulling out the loop on the adjustment buckle and pushing or pulling more strap through the loop.

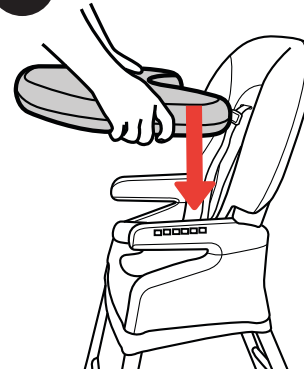
When the desired length of the Crotch Strap is reached pull on the bottom strap to lock the loop into place, as shown.

TIP: To help create the loop on the adjustment buckle, push the Crotch Strap webbing down from the top of the seat.



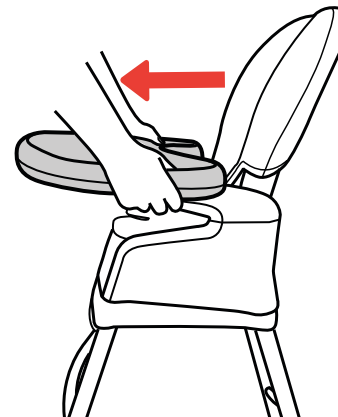
Tray Use

21



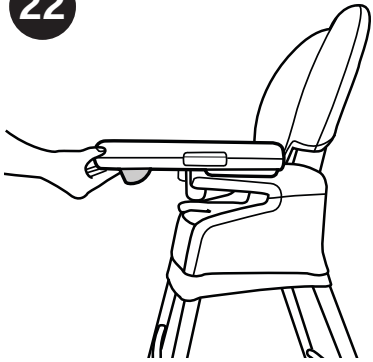
21. To attach the Tray line it up with the arms on the Seat Base and press down until it snaps into place.

Always check that the Tray is securely attached by pulling on it.



Tray Use

22

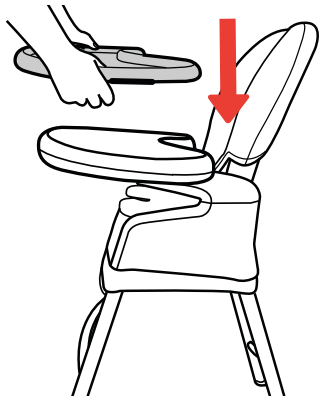


22. The Tray can be adjusted to 3 different positions.

To adjust the Tray squeeze the handle on the front of the Tray and slide it forward or backwards.

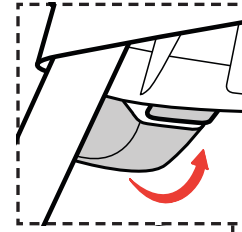
The Tray can be removed by squeezing the handle on the front of the Tray and lifting up.

The Tray Cover can be snapped onto the Tray and removed by lifting up at the handle grips on either side of the Tray Liner.

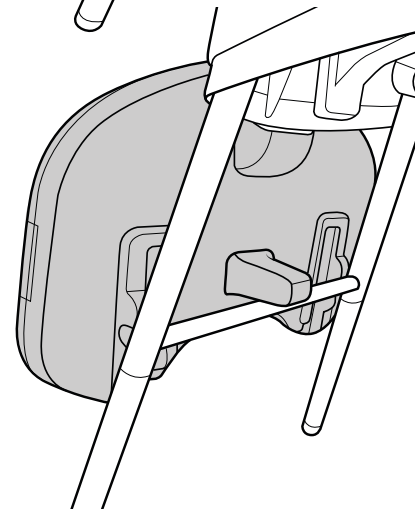
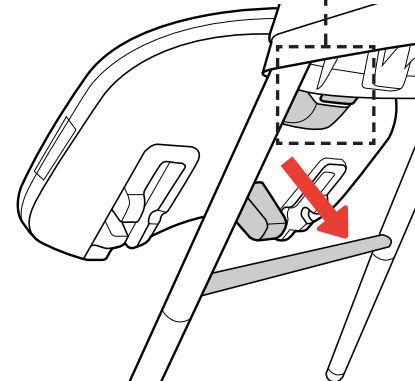


Tray Use

23



23. The Tray can be stored on the back of the Rear Legs by sliding the clip on the back of the Youth Stool Base into the Handle Slot on the front of the Tray and then pushing the Crotch Bar on the Tray up onto the bar on the Legs, as shown.

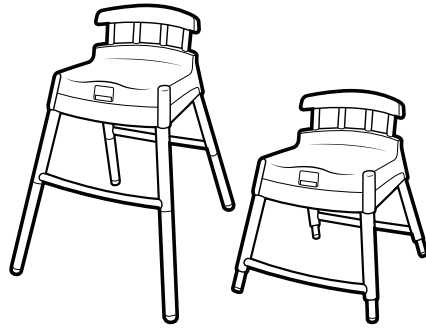


⚠️ WARNING

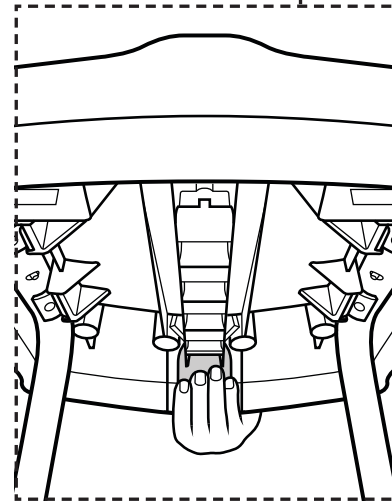
Failure to follow these warnings and the instructions could result in serious injury or death

YOUTH STOOL & TODDLER CHAIR USE

- Never leave child unattended.
- Always place the product on a horizontal, stable surface.
- Do not use Youth Stool for children under 3 years old or for children who weigh more than 100 lbs (45.3 kg).
- Do not use the product if any part is broken or missing.
- Ensure that all components are correctly fitted and adjusted before use.
- To avoid the danger of suffocation, remove all plastic covers before using the product.
- Do not leave the product near walls, curtains, or windows, where the child can become entangled.
- Do not attach any parts to the product that are not supplied or expressly approved by Chicco.



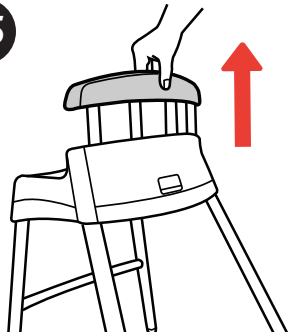
YOUTH STOOL Mode



24. Remove the Seat Base from the Youth Stool Base by squeezing the handle on the underside of the Youth Stool Base and pulling up on the Seat Base.

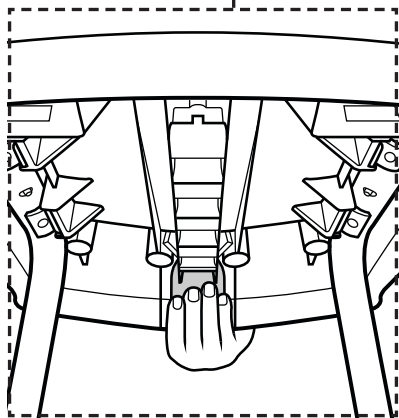
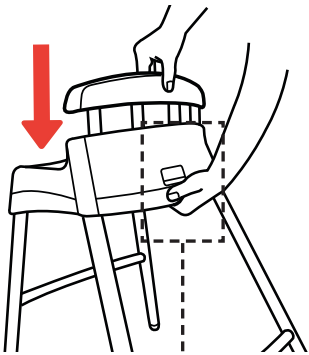
YOUTH STOOL Mode

25



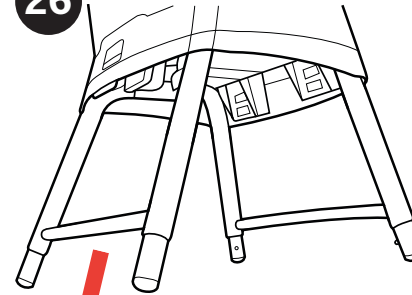
25. Pull up on the Youth Stool Backrest until it snaps into place.

The Youth Stool Backrest can be lowered by squeezing the handle on the bottom of the Youth Stool Base and pushing the Youth Stool Backrest down.

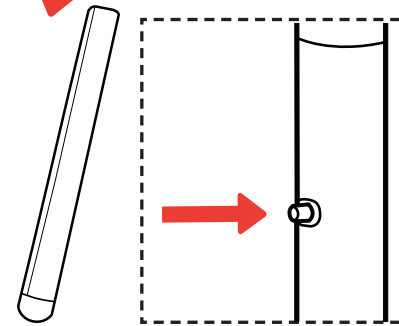


TODDLER CHAIR Mode

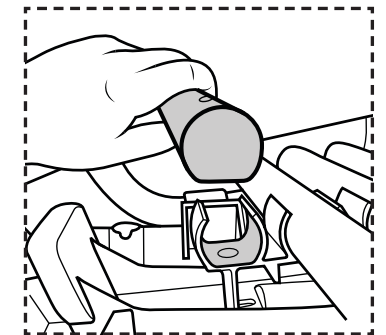
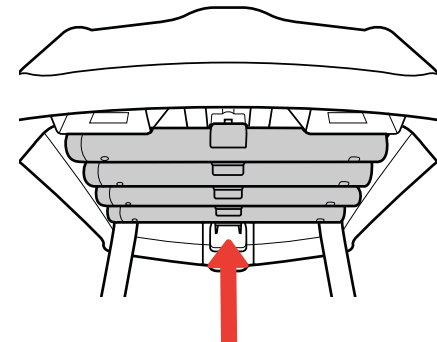
26



26. To switch to Toddler Chair Mode remove the Bottom Legs by pushing in on the pin and sliding the Legs apart.



Store the Bottom Legs in the clips underneath the Youth Stool Base. Making sure the flat side of the Lower Leg goes against the inside of the clip.



Cleaning and Maintenance

This product requires regular maintenance. The cleaning and maintenance of the product must only be carried out by an adult.

CLEANING

Refer to the Care Label for instructions on cleaning the fabric parts of the product. You can spot clean the seat pad with a damp cloth and mild detergent. Do not use bleach, spray, or wipes on the Pad or plastics parts on this product.

Periodically wipe clean plastic parts with a soft damp cloth. Always dry the metal parts to prevent the formation of rust if the product has come into contact with water.

MAINTENANCE

Periodically check the product for loose screws, worn parts, torn material or stitching. Replace or repair the parts as needed. Use only Chicco replacement parts. To avoid friction that may prevent the correct operation of the product, ensure that all the movable plastic parts placed along the metal frame are clean of dust and dirt. Keep product in a dry place. Prolonged exposure to direct sunlight may cause the fabric to fade and plastic parts to warp.

For More Information

For USA customers :

If you have any questions or comments about this product, or are missing any of the parts, please do not return this product to the store.

Contact us in one of the following ways:



(877)-424-4226



info.usa@artsana.com



www.chiccousa.com



1826 William Penn Way
Lancaster, PA 17601



www.chiccousa.com