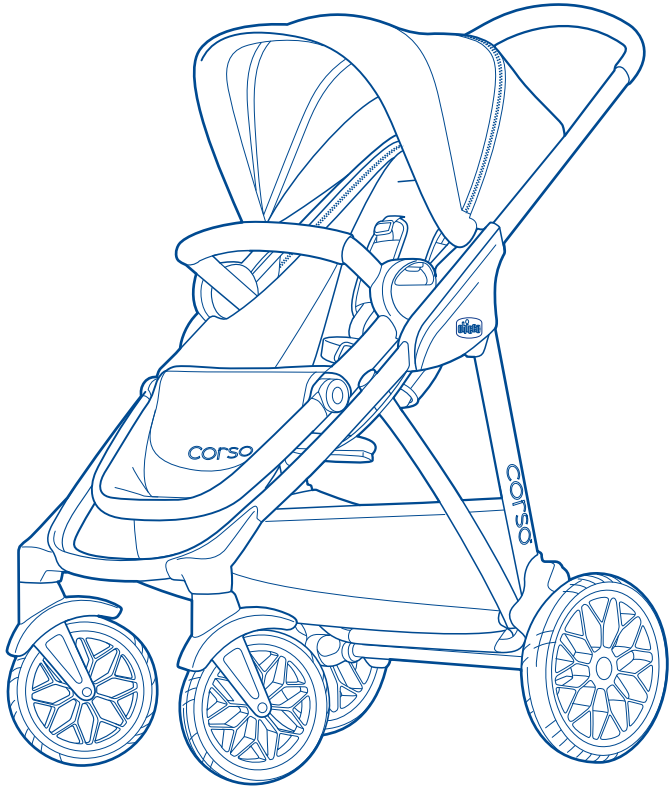




Read all instructions BEFORE
assembly and USE of product.
KEEP INSTRUCTIONS FOR
FUTURE USE.



Corso™ Stroller

Owner's Manual



Failure to follow all warnings and instructions may result in serious injury or death. For your child's safety, read the labels and owner's manual before using the product.

- PLEASE SAVE OWNER'S MANUAL FOR FUTURE USE.
- ADULT ASSEMBLY REQUIRED.
- NEVER LEAVE CHILD UNATTENDED. Always keep child in view while in the stroller.
- AVOID SERIOUS INJURY from falling or sliding out. Always use seat belt. After fastening buckles, adjust belts to get a snug fit around your child.
- AVOID FINGER ENTRAPMENT: Use care when folding and unfolding the stroller. Be certain the stroller is fully opened and latched before allowing your child near the stroller.
- USE OF THE STROLLER with a child weighing more than 50 lbs (22.7 kg), will cause excessive wear and stress on the stroller. Use the stroller with only one child at a time.
- STROLLER TO BE USED only at walking speed. Product not intended for use while jogging, skating, etc.
- TO PREVENT A HAZARDOUS, UNSTABLE CONDITION, never place purses, shopping bags, parcels or accessory items on the canopy or handle. Do not place more than 10 lbs (4.5 kg) in the storage basket. Do not place more than 1 lb (0.5 kg) in each seat back pocket.
- DO NOT use storage basket as a child carrier.
- NEVER ALLOW YOUR STROLLER to be used as a toy.
- DISCONTINUE USING YOUR STROLLER should it become damaged or broken.
- AVOID STRANGULATION. DO NOT place items with a string around your child's neck, suspend strings from this product, or attach strings to toys.
- NEVER USE STROLLER ON STAIRS or escalators. You may suddenly lose control of the product and your child may fall out. Also, use extra care when going up or down a step or curb.
- Do not attempt to attach any infant car seat to the stroller other than the Chicco infant car seat. Injury or death may result when attempting to use this stroller in conjunction with infant car seats from other manufacturers.
- Before use, remove and dispose of all plastic bags and packaging materials and keep them out of reach of children.
- Before assembly, check that the product and all of its components have not been damaged during transportation.



Failure to follow all warnings and instructions may result in serious injury or death. For your child's safety, read the labels and owner's manual before using the product.

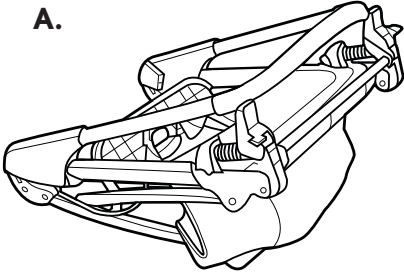
- Do not use accessories, spare parts, or any component not supplied or approved by Chicco as they may make the stroller unsafe.

Using Chicco Infant car seat with stroller:

- Infant Car Seat Adapter must be properly attached to use the Chicco infant car seat.
- **ONLY USE** a Chicco infant car seat with this product.
- Only use this product to transport infants that are within the size and weight limitations of the infant car seat.
- **FALL HAZARD:** Always check that infant car seat is securely attached to stroller frame by pulling up on the infant car seat.
- **ALWAYS SECURE** your child with the car seat harness. Always make sure child is properly harnessed in the car seat.
- Refer to your Chicco infant car seat owner's manual for additional warnings and use instructions before using this product.

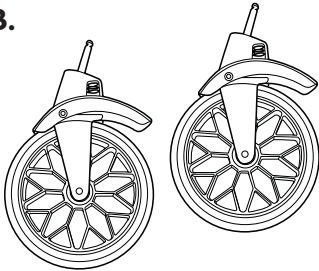
Components

A.



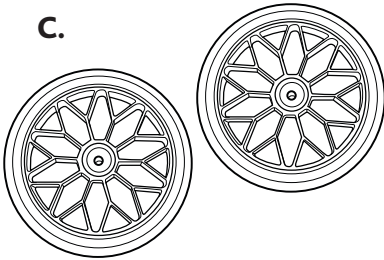
A. - Stroller Frame

B.



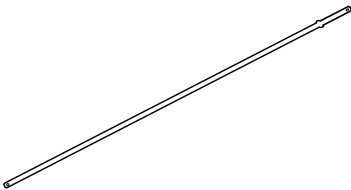
B. - Front Wheels

C.



C. - Rear Wheels

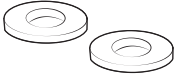
D.



D. - Rear Axle

Components

E.



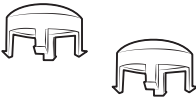
E. - Washers

F.



F. - Pins

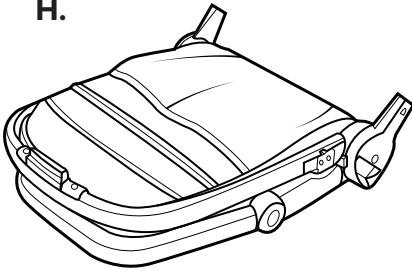
G.



G. - Hubcaps

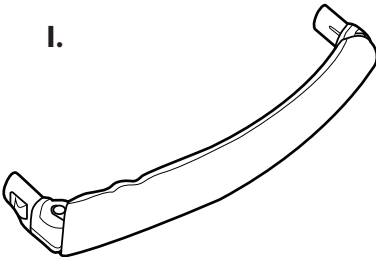
Note: Parts E, F, and G are in a small red bag.

H.



H. - Seat Frame

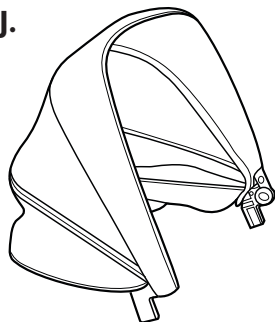
I.



I. - Armbar

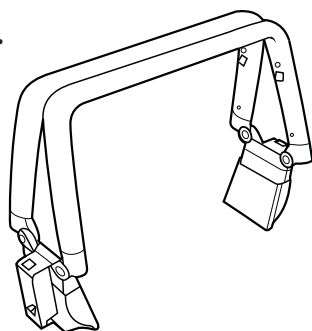
Components

J.



J. - Canopy

K.



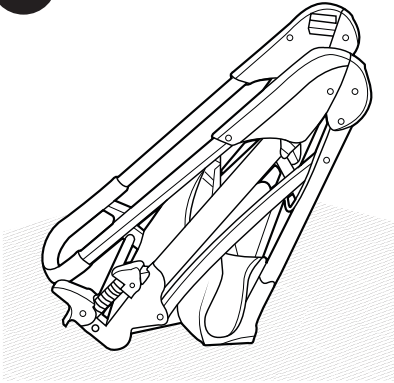
K. - Infant Car Seat Adapter

How to Assemble Stroller

⚠ WARNING

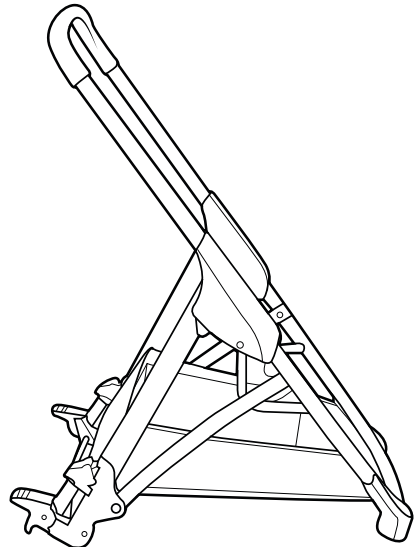
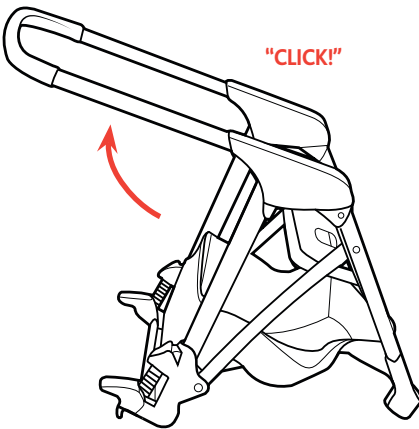
When opening the Stroller, ensure that your child, or other children, are at a safe distance. Ensure that during these operations, the movable parts of the Stroller do not come into contact with your child.

1



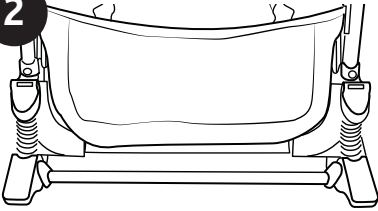
If you have hardwood floors or linoleum you may want to perform this step on carpeting or lay down some protection for your floors.

1. Stand the Stroller Frame (A) on end, as shown. Locate the handle and rotate the handle up and unfold the Stroller Frame. Make sure the frame is fully open and locked by pressing down on the handle.

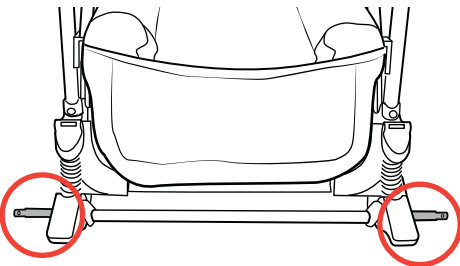
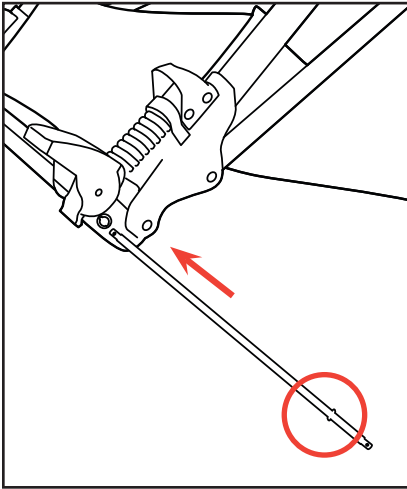


How to Assemble Stroller

2



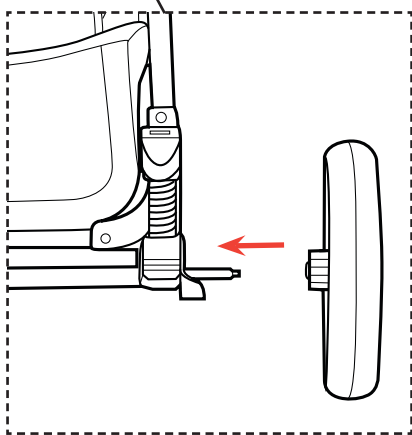
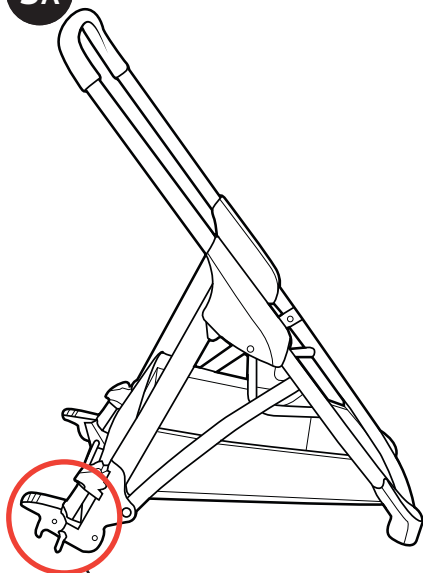
2. Insert the Rear Axle (D) into the opening on the Rear Stroller Frame, as shown. Make sure to insert the end without the ears first. Slide it through until the axle comes out on the other side. Make sure the Axle is centered between both brake levers.



How to Assemble Stroller

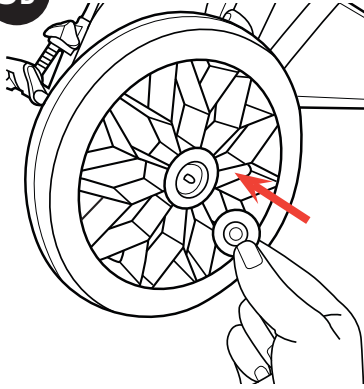
3A

3A. On one side of the Rear Axle, slide a Rear Wheel (C), and turn the Wheel until the brake tab fits into one of the grooves on the Wheel.



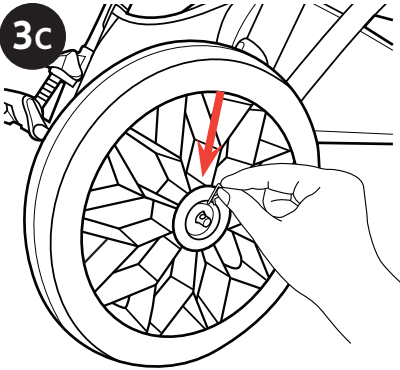
How to Assemble Stroller

3B

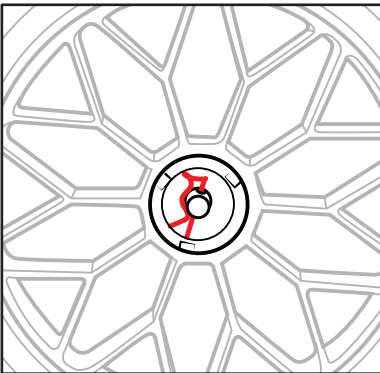


3B. On the same side slide a Washer (E) onto the Rear Axle.

3C



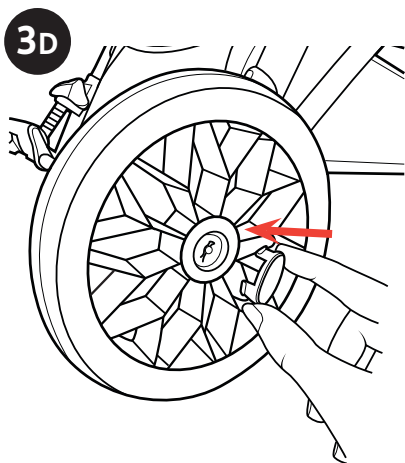
3C. Secure the Wheel to the Rear Axle using the Pin (F). Push the straight side of the Pin through the hole on the Rear Axle. The curve on the Pin must curve around the outside of the Rear Axle, as shown. Make sure Washer is between the Pin and Wheel.



How to Assemble Stroller

⚠ WARNING

Check that the wheels are fitted correctly.

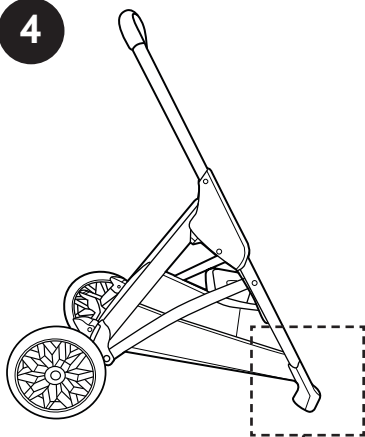


3D. Line up the tabs on the Hubcaps (G) with the holes on the Wheel. Snap the Hubcap onto the Wheel to cover the Washer and Pin. Repeat Step 3 for other side.

Pull on each Wheel to make sure the Wheel assembly is securely attached to the frame.

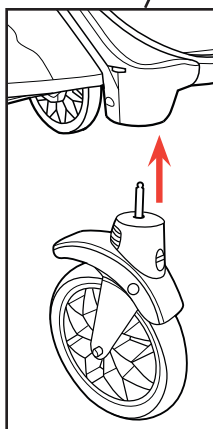
How to Assemble Stroller

4



4. Attach the Front Wheel (B) to the Stroller Frame by lining up and inserting the Front Wheel Pin into the corresponding opening on the Stroller Front Leg, as shown. Repeat for the other side.

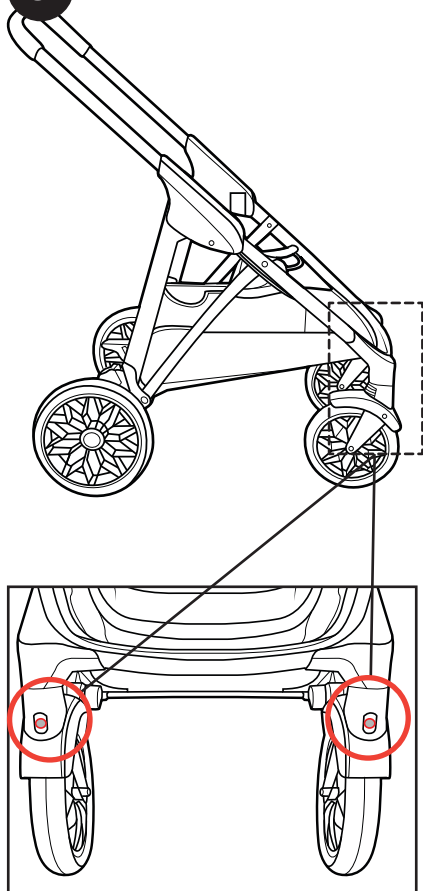
Make sure both Wheels are secure by pulling down on Wheel assemblies.



Front Wheel Swivel Locks

The stroller has front Swivel/Fixed wheels. It is recommended that you use the Fixed Mode on uneven surfaces and the Swivel Mode on normal road surfaces. When using swivel locks, make sure you lock both front wheels.

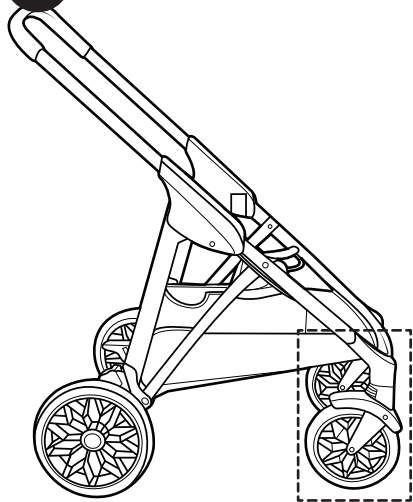
5



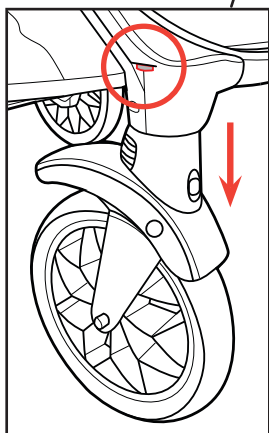
5. To release the Front Wheel to a Swivel position, push down on the Buttons located above the Front Wheels, as shown. To lock the Front Wheels push up on the Buttons and move the stroller forward. The wheels will lock into a straight position.

Remove Front Wheels

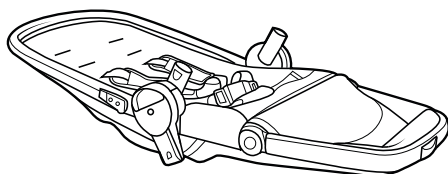
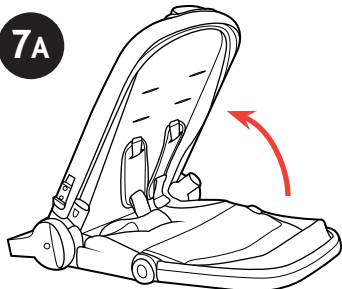
6



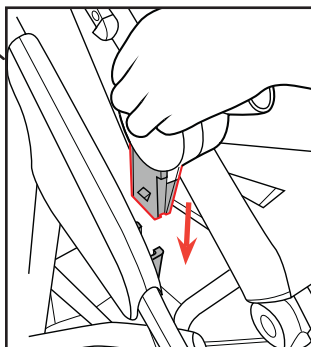
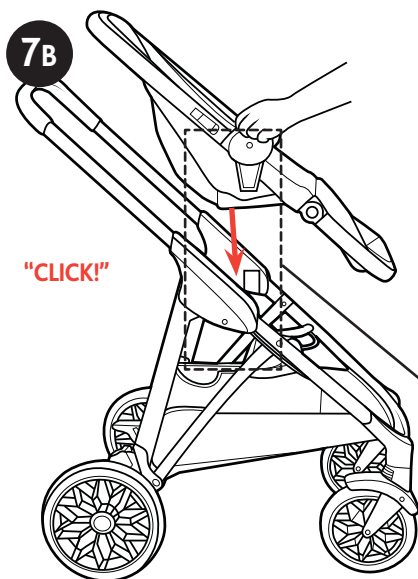
6. Remove the Front Wheels by pushing in on the Release Button, just above the wheel (as shown). And, at the same time, pull the Front Wheel off of the Stroller Frame. Repeat for the other side.



How to Use the Seat

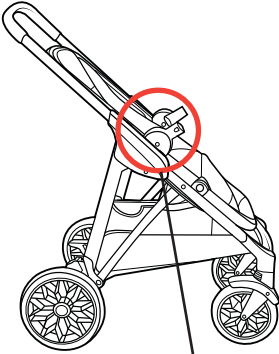


7A. Open the Seat Frame (H). Line up and insert the hubs on both sides of the Seat Frame into the hub slots on the Stroller Frame as shown (7B). Pull up on the Seat Frame to make sure it is securely attached to the Stroller Frame.



How to Use the Seat

8

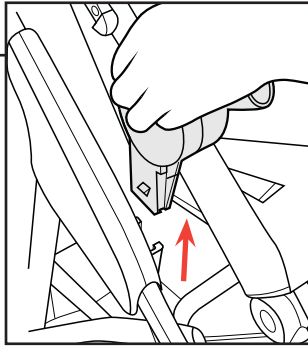
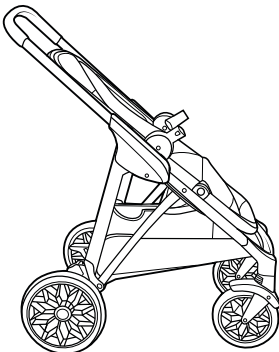


8. Press the buttons on both hubs, as shown, and pull up to remove the Seat Frame.

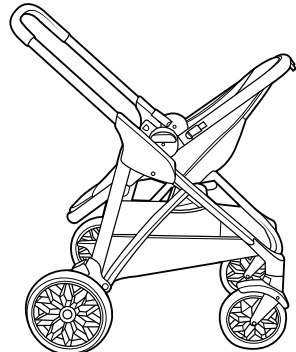
Note: The Seat Frame can be attached in a Forward Facing position and a Parent Facing position, as shown.



Forward Facing Position

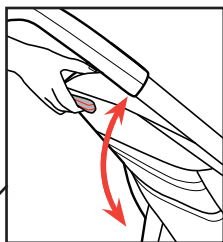


Parent Facing Position



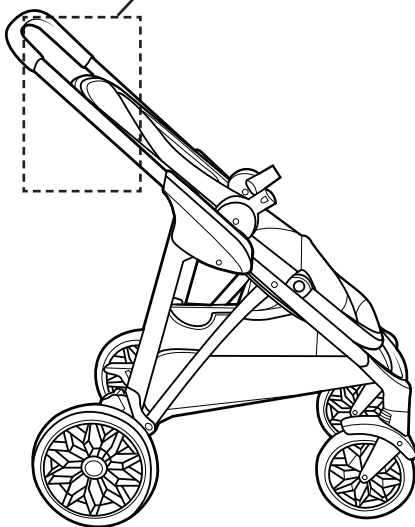
How to Use the Seat

9

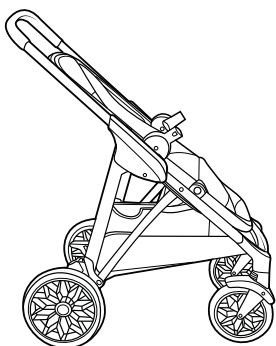


The Seat can be adjusted to 3 positions.

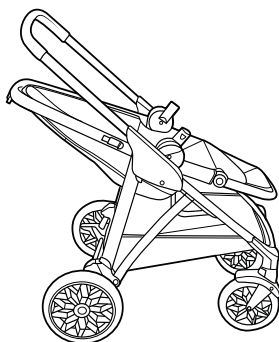
9. To recline the Seat, press the Recline Button on the back of the Seat, as shown. Rotate the Seat up or down to the desired position.



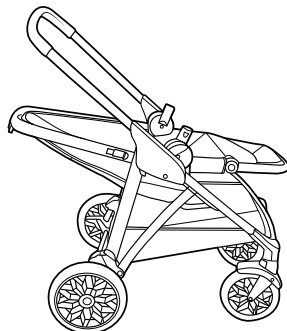
1.



2.



3.

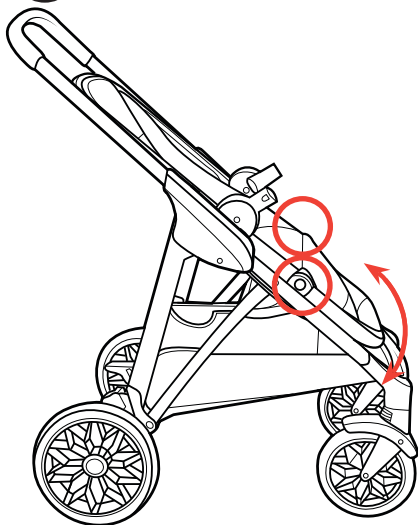


How to Use the Seat

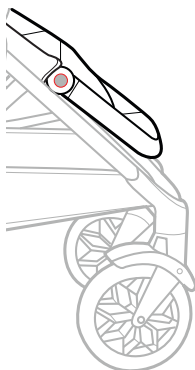
10

The Footrest can be adjusted to 4 positions.

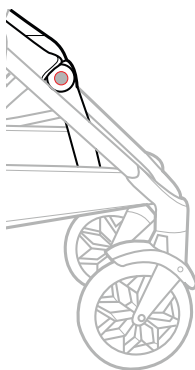
10. Press in on both Footrest Buttons and, at the same time, rotate the Footrest up or down to the desired position.



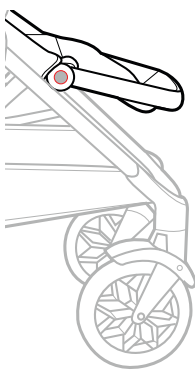
1.



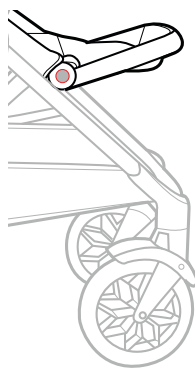
2.



3.

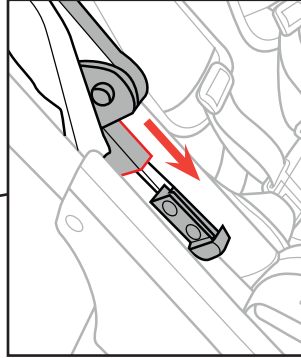
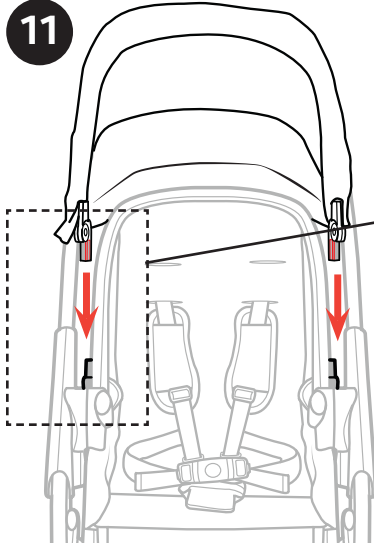


4.

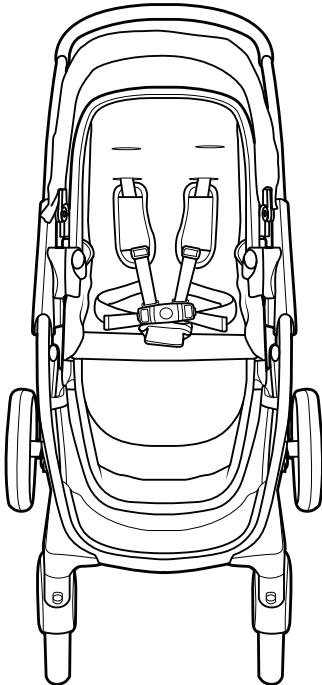


How to Use the Canopy

11

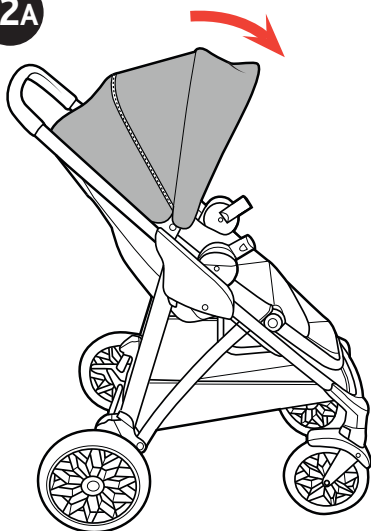


11. To attach the Canopy, slide the Canopy attachment clips onto the corresponding attachment points on the Seat Frame, as shown. Make sure that back panel of Canopy is located behind the seat frame.



How to Use the Canopy

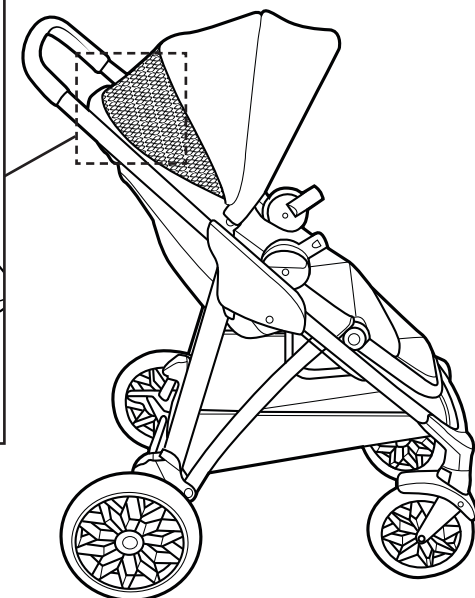
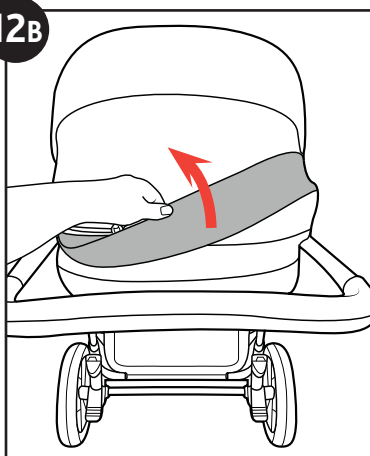
12A



12A. To open the Canopy, pull the front edge of the Canopy forward. Reverse this step to close the Canopy.

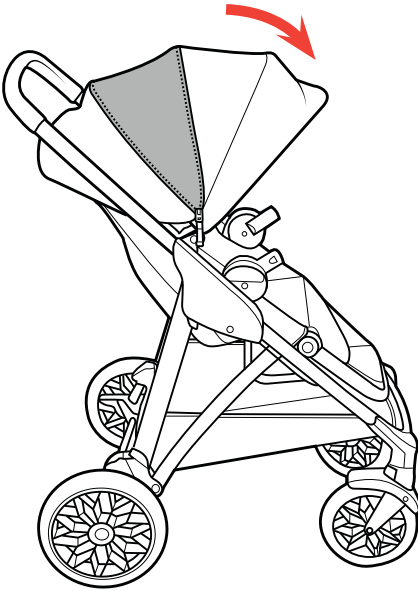
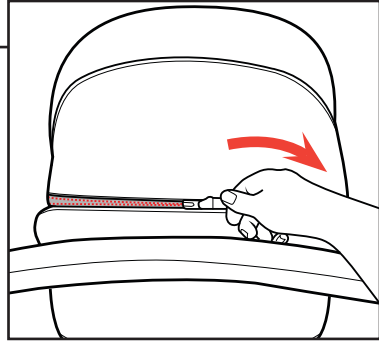
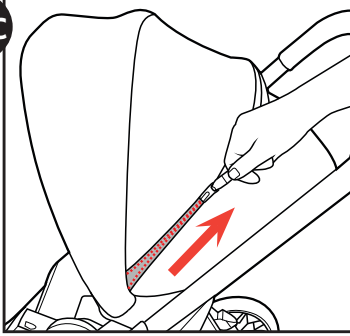
12B. Pull forward on the Canopy flap to uncover the mesh panel. Reverse this step to close the mesh panel.

12B



How to Use the Canopy

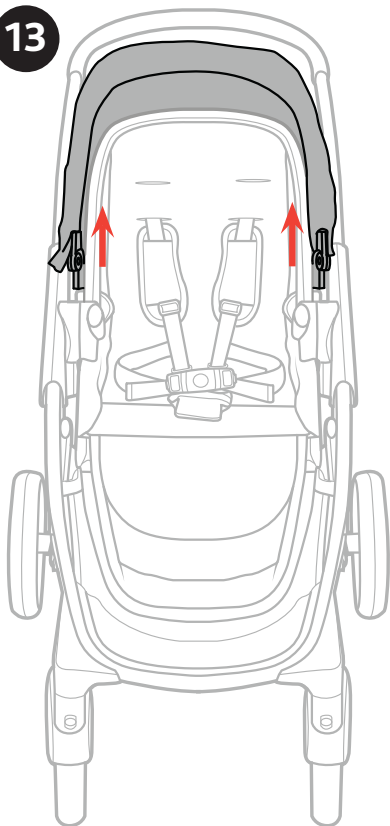
12c



12C. To Extend the Canopy, unzip the zipper and pull forward on the front Canopy edge. Reverse this step to close the extension panel.

How to Use the Canopy

13



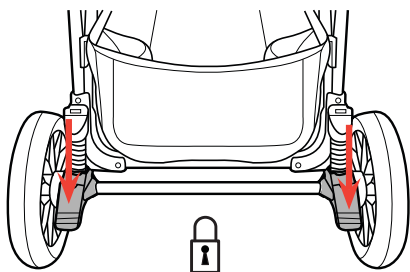
13. To remove the Canopy, pull up on the attachment clips on each side of the Canopy at the same time.

Using the Brakes

⚠ WARNING

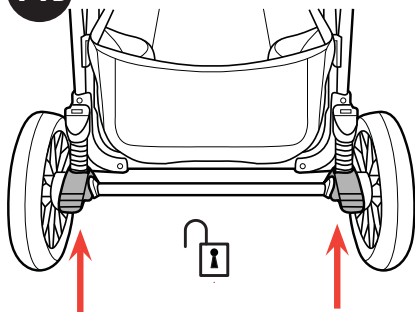
Always apply the brakes whenever the stroller is stationary. Never leave the stroller on a sloped surface, with a child onboard, even with the brakes applied.

14A



14A. Push down on the Brake Lock Levers located on each side of the Rear Wheel assembly, to lock the Rear Wheels.

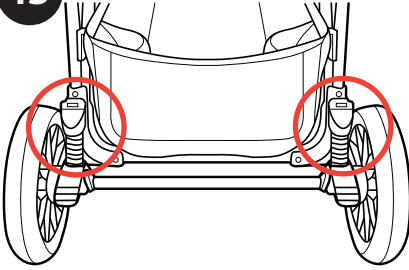
14B



14B. Pull up on the Brake Lock Levers to unlock the Rear Wheels.

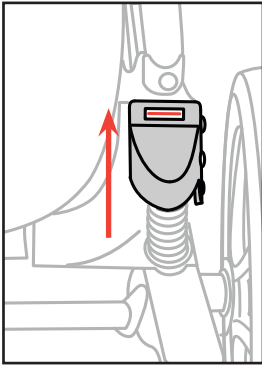
Using the Suspension

15

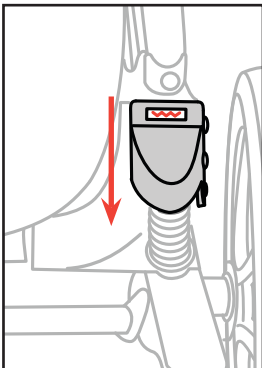


The Stroller has 2 Suspension Modes.

15. Flip the Lever up for smooth terrain and flip the Lever down for rough terrain. Make sure both of the Suspension Levers are in the same position.



A straight line (——) indicates a stiff suspension, a stable ride for more control on smooth terrain.



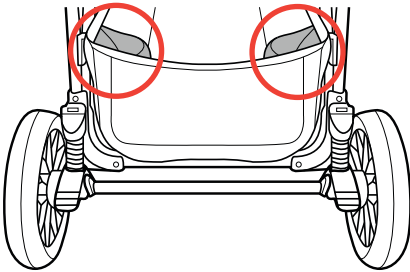
A wavy line (~~~~) indicates a soft suspension, a smoother ride on rough terrain.

Accessory Pockets

⚠ WARNING

Never place more than 1 lb (0.5 kg) in each seat back pocket.

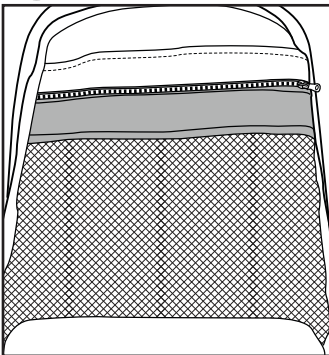
16A



16A. Locate the 4 accessory pockets on the inside of the basket.

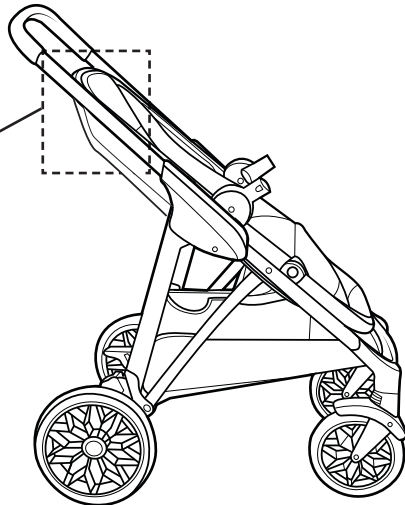
2 bottle pockets in back corners and 2 organizer pockets on sides.

16B



16B. Locate the 2 accessory pockets on the back of the seat.

1 zippered organizer pocket and 1 mesh organizer pocket.

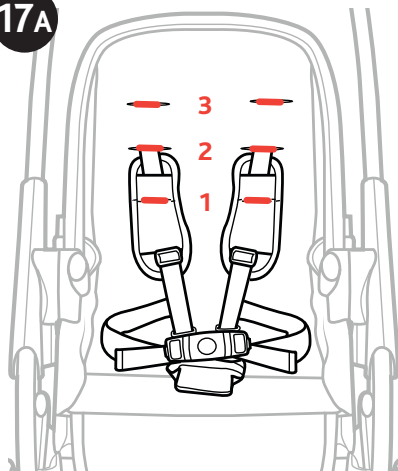


How to Use Safety Harness

⚠ WARNING

This stroller features three harness positions. Always use a harness position located ABOVE the child's shoulder line. If multiple harness positions are above the child's shoulder line, use the one closest to it.

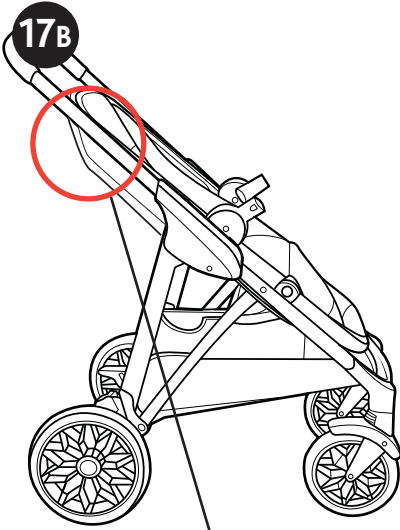
17A



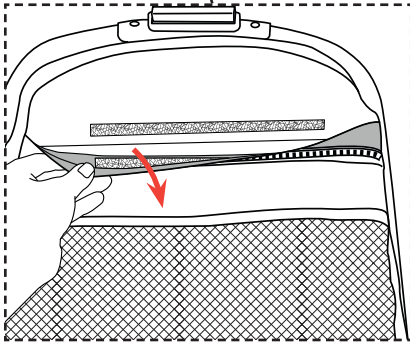
17A. The Shoulder Straps can be adjusted to 3 height positions as shown.

How to Use the Safety Harness

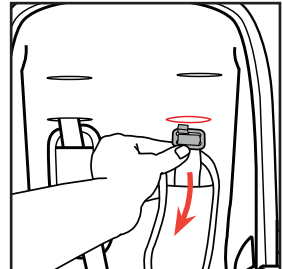
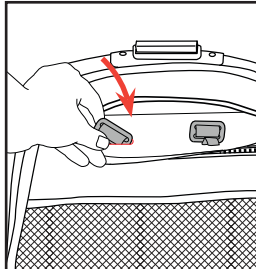
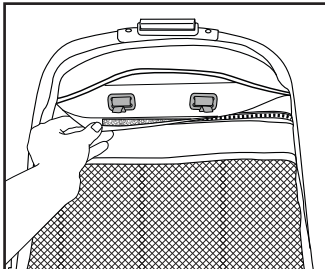
17B



17B. To adjust the Shoulder Harness to another height position, locate the D-ring on the back of the seat as shown. Slide the D-ring through opening on the seat back. Then pull through the opening on the seat pad. Re-insert the D-ring into the correct height position, and repeat for the other side. Always use the same height position for both straps. Depending on Shoulder Harness height position, D-ring may be located below visible opening in seat back.

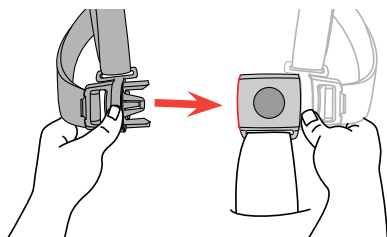
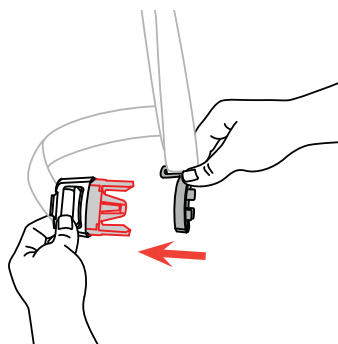
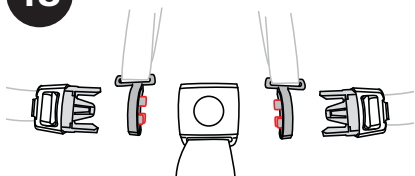


Seat Front



How to Use the Safety Harness

18



18. This stroller has a 5-point safety harness. The Shoulder Strap Connector is designed to break away from the Waist Clip when not secured in the Crotch Strap Buckle.

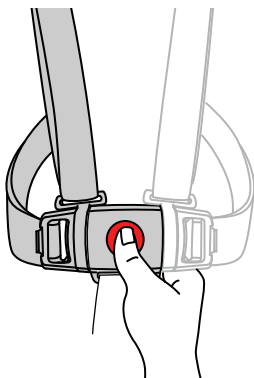
Make sure the Shoulder Strap Connector is in the correct position, as shown. Slide the Shoulder Strap Connector onto the Waist Strap Clip and repeat for the other side. Then slide both Waist Clips into the Crotch Strap Buckle, as shown. Pull on both sides to make sure the Clips are secured to the Buckle.

How to Use the Safety Harness

⚠ WARNING

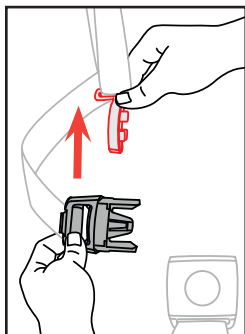
Never leave child unattended. Avoid serious injury from falling or sliding out.
Always use seat belt.

19



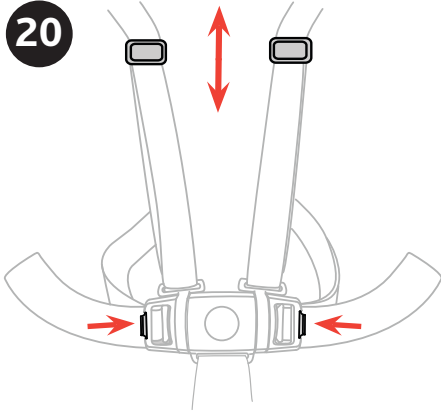
19. The Safety Harness can be released by pressing the button on the center of the Buckle and pulling both Waist Clips out.

Pull up on the Shoulder Strap Connector to remove it from the Waist Strap Clip.



How to Use the Safety Harness

20

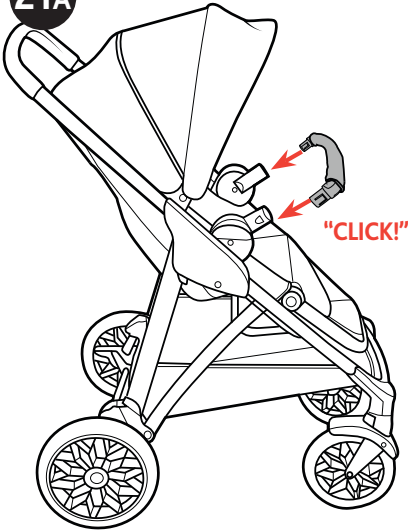


20. The length of the Shoulder Straps can be adjusted by pulling on the adjustment buckles to tighten or loosen.

The length of the waist straps can be adjusted. Press the tab at the end of the Waist Strap Clip and pull on the strap to tighten or loosen, to better fit your child.

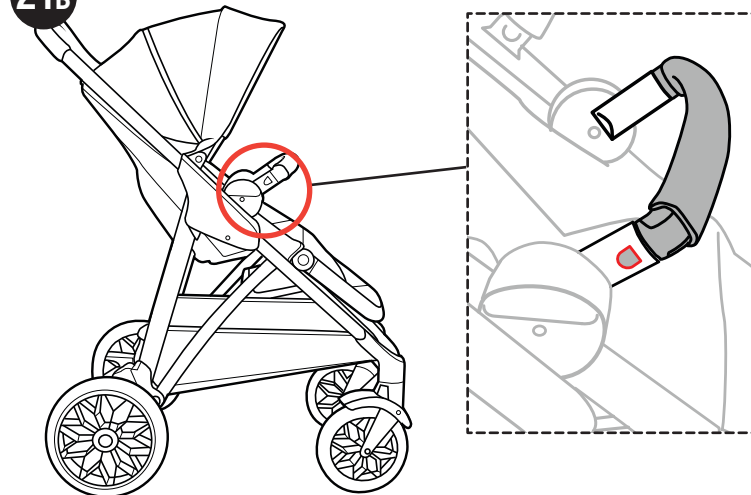
How to Use the Armbar

21A



21A. To use Armbar (I), Insert the Armbar Tongues into the corresponding openings on the Seat Frame. To release the Armbar press in on the buttons located at the sides of the Armbar, as shown (21B).

21B

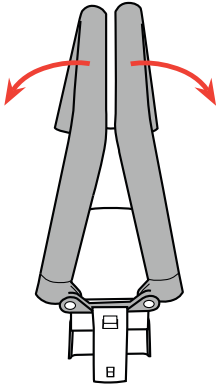


How to Use the Infant Car Seat Adapter

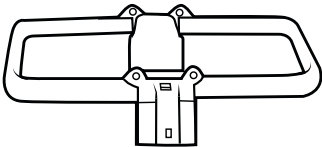
⚠ WARNING

Do not remove the Seat from the Stroller frame with the child inside.

22A

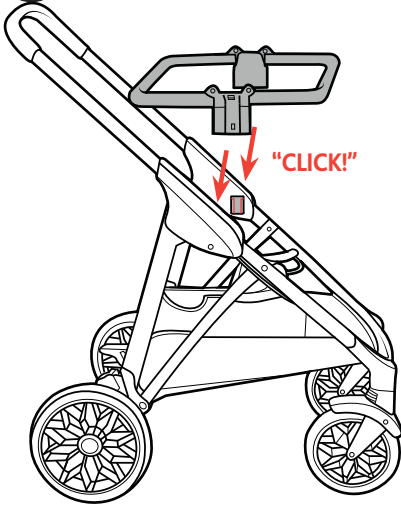


22A. Remove the Seat from the Stroller Frame (refer to Step 8). Rotate both arms on the Infant Car Seat Adapter (K) down, as shown.

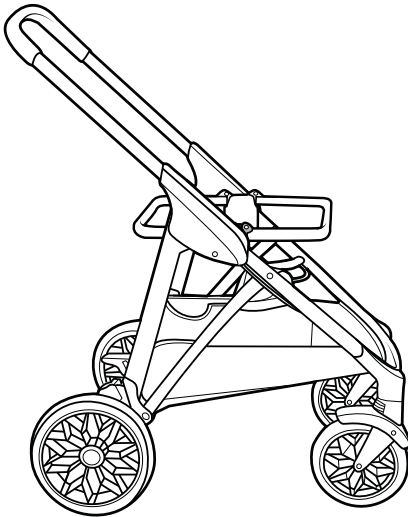


How to Use the Infant Car Seat Adapter

22B

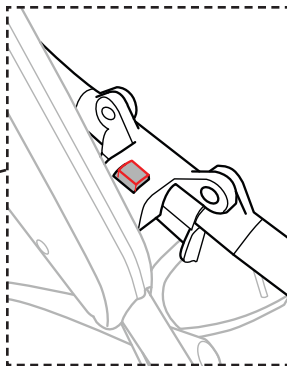
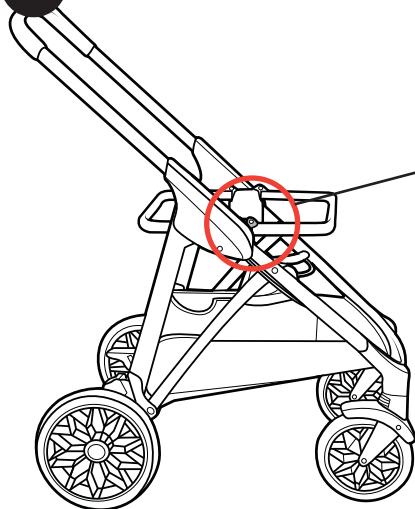


22B. Line up the Tongues on both sides of the Infant Car Seat Adapter to the slots on the Stroller frame as shown. Push down until it clicks into place. Pull up on the Infant Car Seat Adapter to make sure it is securely attached to the Stroller Frame.

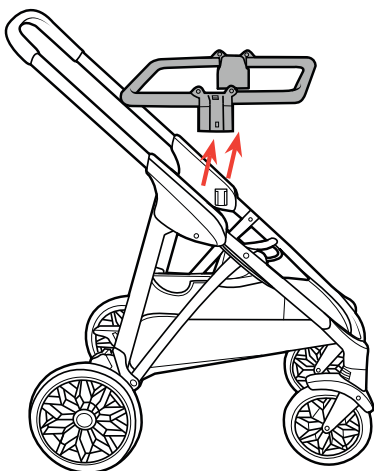


How to Use the Infant Car Seat Adapter

22c



22C. To remove the Infant Car Seat Adapter, press both buttons on the attachment and pull up.



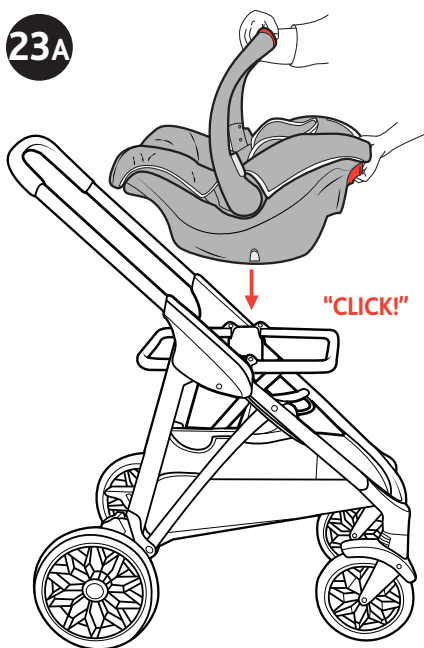
Using the Chicco Infant Car Seat

WARNING

ONLY USE a Chicco infant car seat with this product. Always make sure child is properly harnessed in the car seat. Only use this product to transport infants that are within the size and weight limitations of the infant car seat. Refer to your Chicco infant car seat owner's manual for additional warnings and use instructions before using this product.

Using the Chicco Infant Car Seat

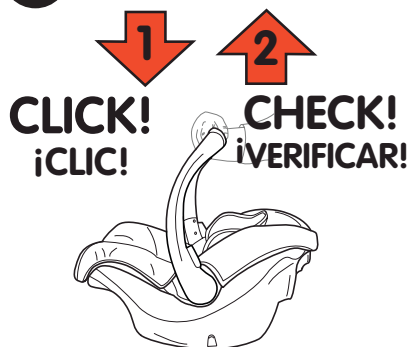
23A



23A. With the Infant Car Seat Adapter attached, place the Chicco infant car seat into the Stroller Frame. The infant car seat can be attached in a Forward Facing or Parent Facing position. Make sure infant car seat clicks into the Stroller Frame on both sides.

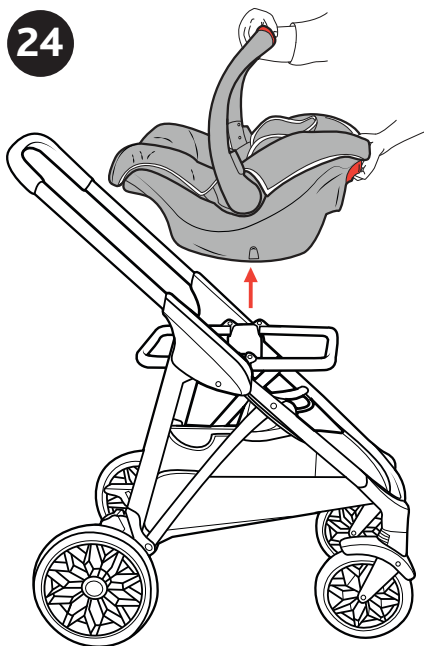
Pull up on the infant car seat; make sure it is secured to Stroller Frame (23B). If the infant car seat is not secured see Step 22 to make sure the Infant Car Seat Adapter is assembled and attached correctly.

23B



Using the Chicco Infant Car Seat

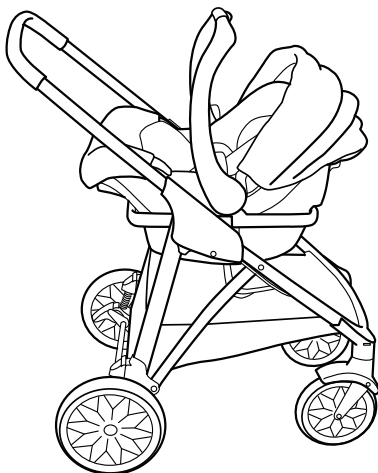
24



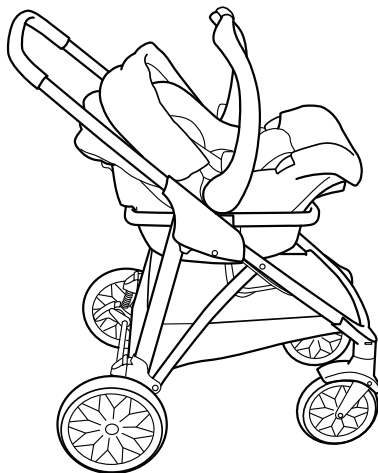
24. To remove the infant car seat , squeeze the Release Handle on the back of the infant car seat and lift up on the carrying handle.

Note: The infant car seat can be attached in a Forward Facing position and a Parent Facing position, as shown.

Parent Facing Position



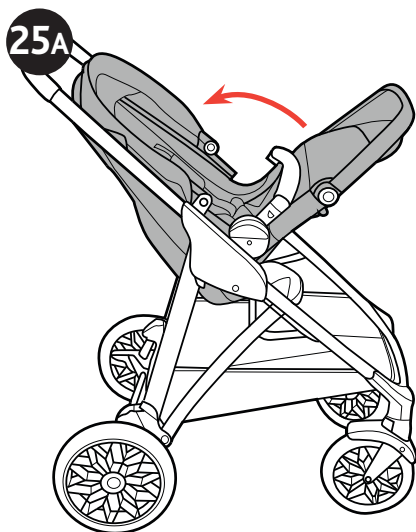
Forward Facing Position



How to Fold the Stroller

⚠ WARNING

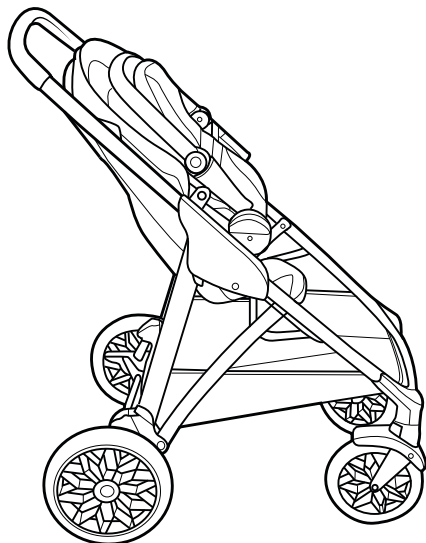
When folding the Stroller, make sure that your child and other children are at a safe distance. Ensure that during the operations, the movable parts of the Stroller do not come in contact with your child.



With the Seat attached:

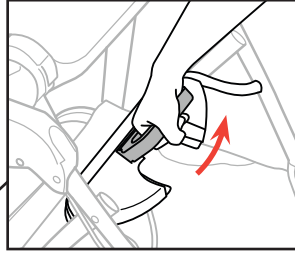
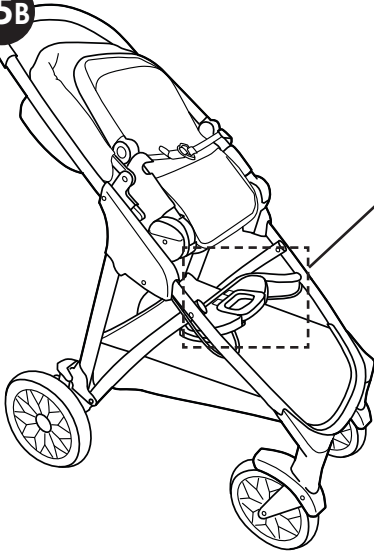
25A. To Fold the Stroller, lock rear wheel brakes, and make sure the Front Wheels are in Swivel Mode. Lift up on the bottom edge of the Seat frame and fold in half.

Note: The stroller will fold to its smallest size when the seat is attached forward facing and adjusted to the most upright position.

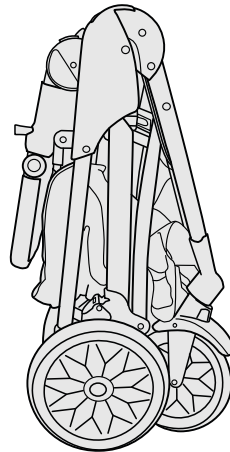
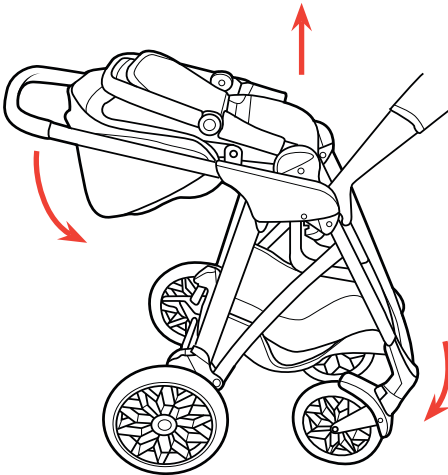


How to Fold the Stroller

25B

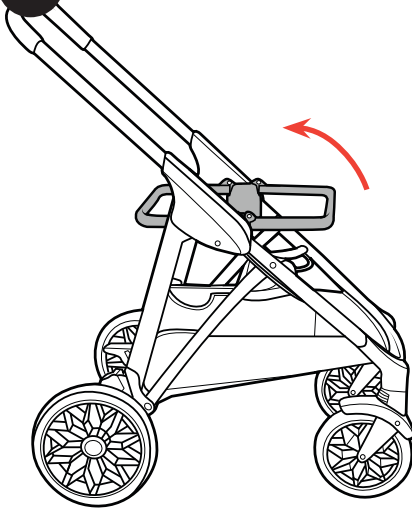


25B. Locate the Fold Handle and lift up on the handle, as shown. When the Stroller is folding, the front wheels will swivel to the side and Push Handle will fold down to make the Stroller compact.



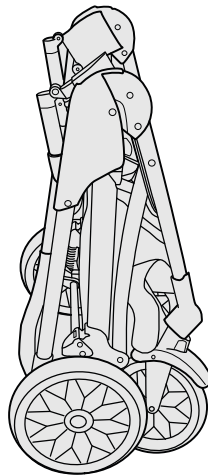
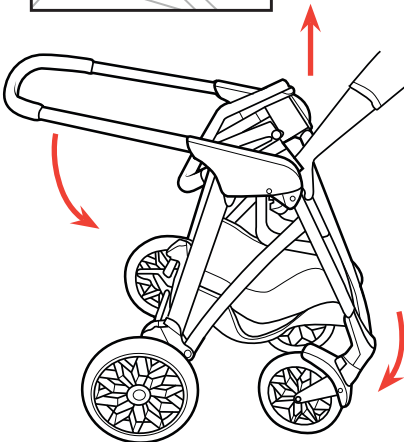
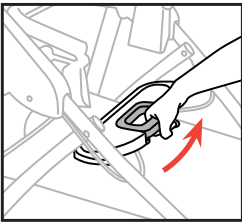
How to Fold the Stroller

26



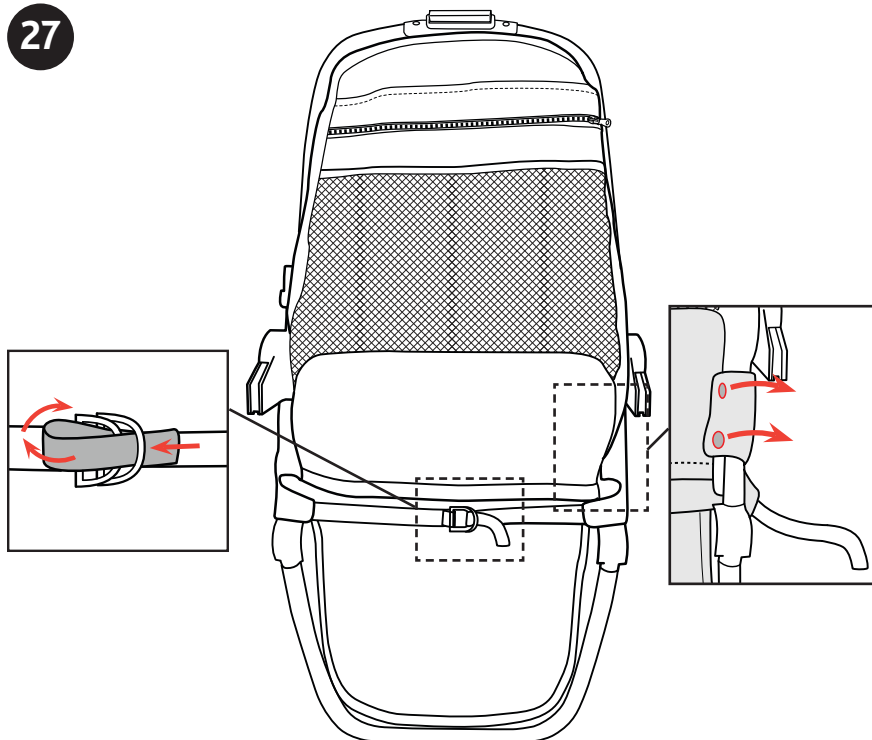
With the Infant Car Seat Adapter attached:

26. To Fold the Stroller, lock rear wheel brakes, and make sure the Front Wheels are in Swivel Mode. Fold the front section of the Infant Car Seat Adapter towards the back section. Locate the Fold Handle and lift up on the handle, as shown in 25B.



How to Remove the Seat Fabric

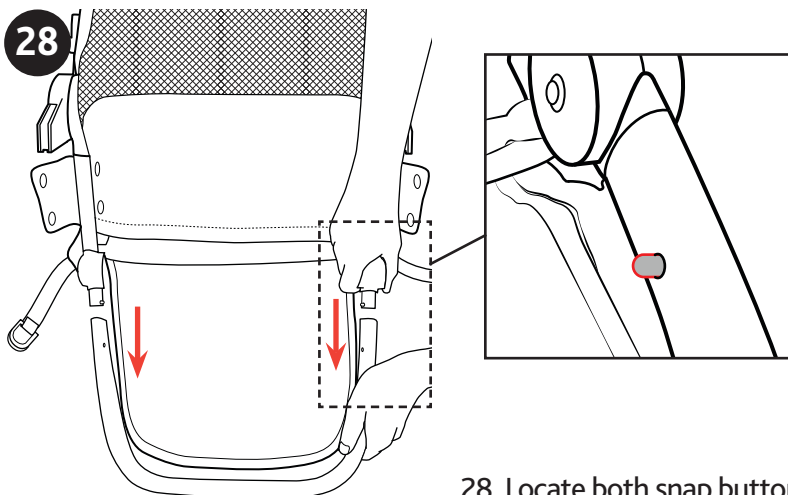
27



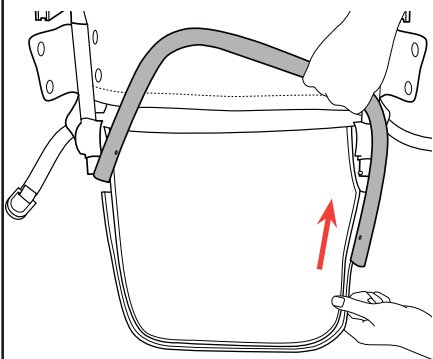
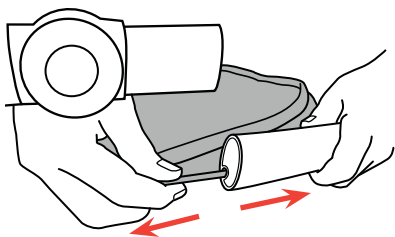
27. Remove the Seat from the Stroller Frame. Flip the Seat frame over and undo the Seat strap. Unsnap 2 snap buttons on one side of the Stroller Frame as shown. Repeat for the other side.

How to Remove the Seat Fabric

28

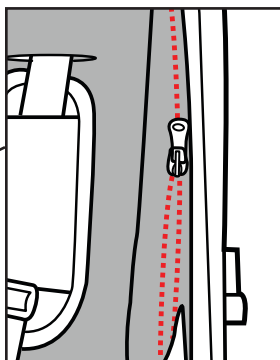
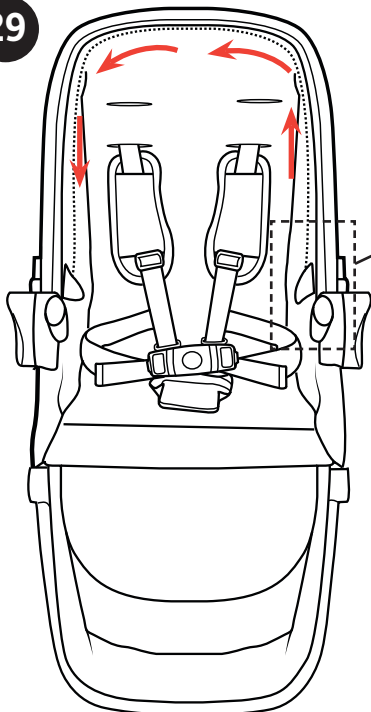


28. Locate both snap buttons on the footrest frame. Press in the snap button and pull the footrest from stroller frame. Repeat for the other side and slide the seat fabric from the footrest as shown.

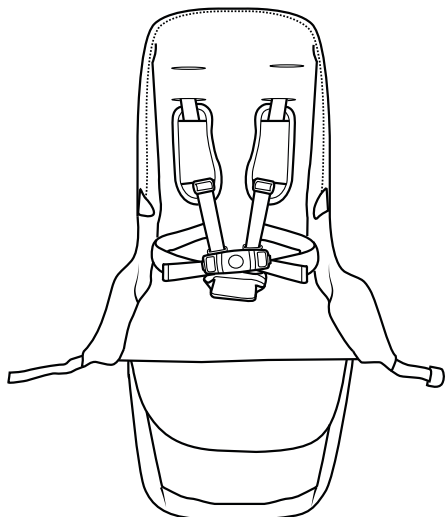


How to Remove the Seat Fabric

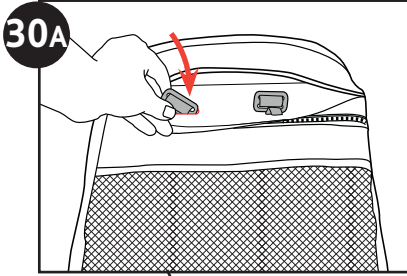
29



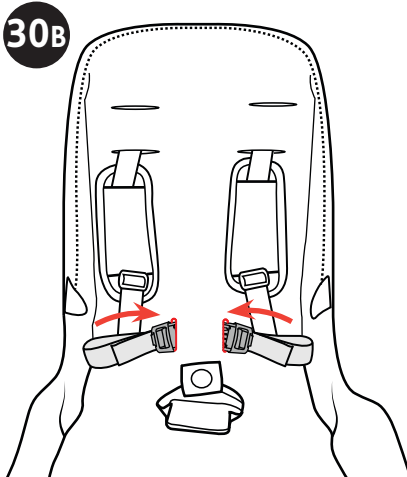
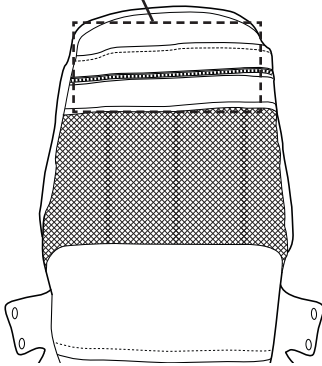
29. Flip the Seat back over to the front. Remove the Seat from the Stroller Frame. Locate the zipper on the side of the seat and undo the zipper.



How to Remove the Seat Fabric



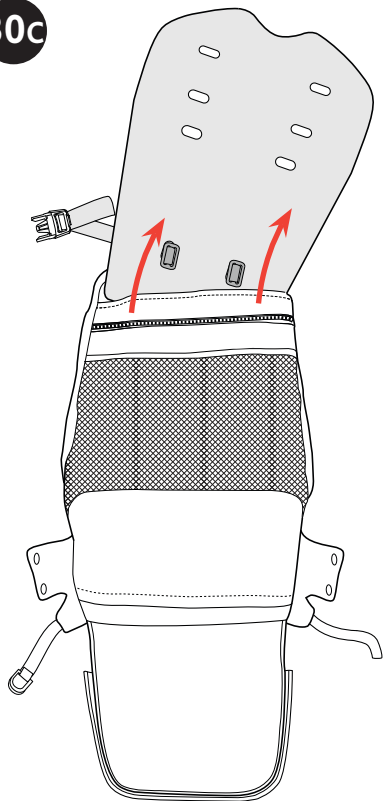
30A. Undo the hook and loop and locate the Shoulder Strap D-rings. Push the Shoulder Strap D-rings through the seat back (refer to Step 17B). Pull the Shoulder Straps through the front side to remove.



30B. Make sure to push the waste belt straps through the openings in the seat fabric, as shown.

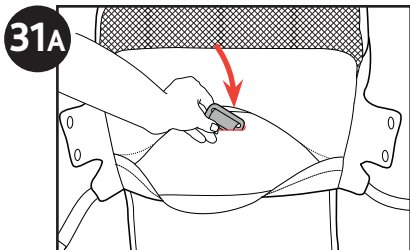
How to Remove the Seat Fabric

30c

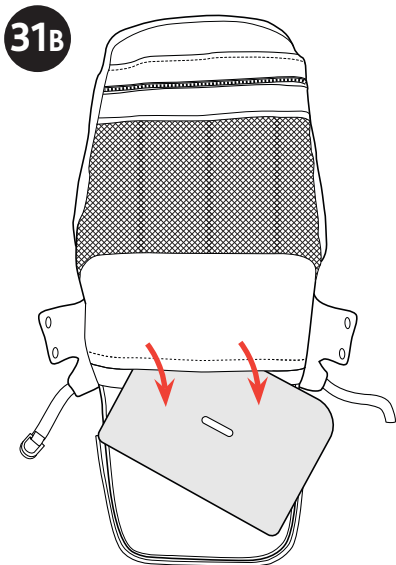
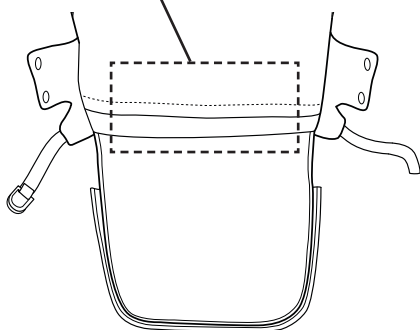


30C. Remove the plastic board in the seat back.

How to Remove the Seat Fabric



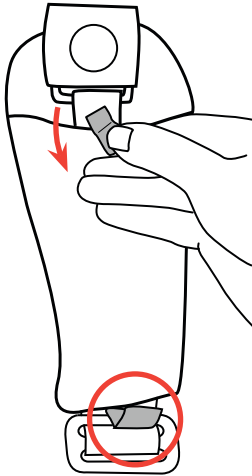
31A. Undo the hook and loop and locate the crotch strap D-ring. Push the D-ring through the opening on the seat bottom. Pull the crotch strap through the front side to remove.



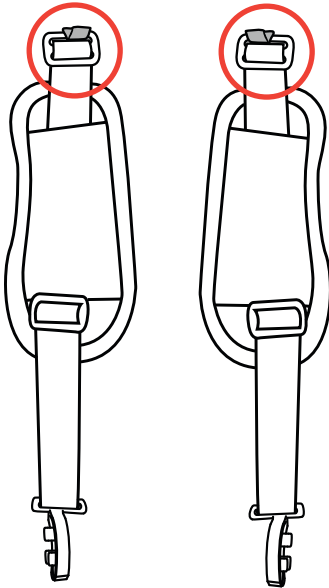
31B. Remove the plastic board in the seat bottom.

How to Remove the Seat Fabric

32

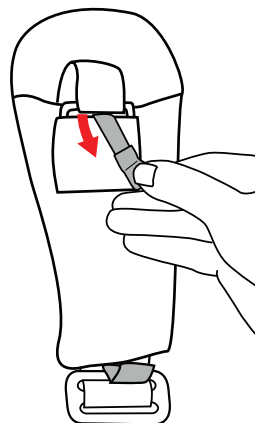
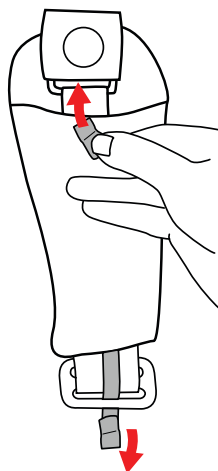


32. To remove the crotch strap pad and the shoulder pads. Locate the positioner strap tab (on the crotch strap) and thread it through the buckle slot. Repeat for the D-ring on the crotch strap and both shoulder straps. Remove the crotch pad and shoulder pads from the straps.



How to Reattach the Seat Pads

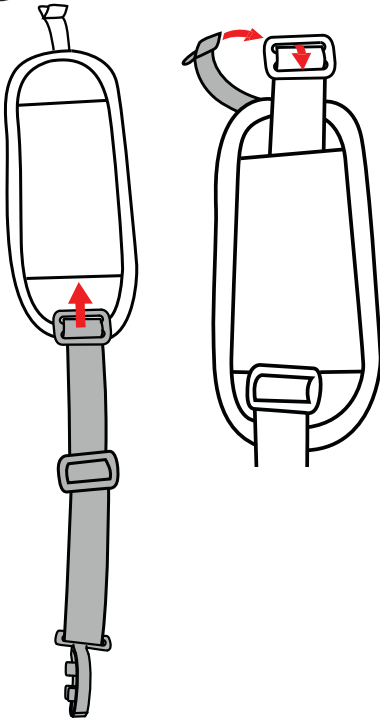
33



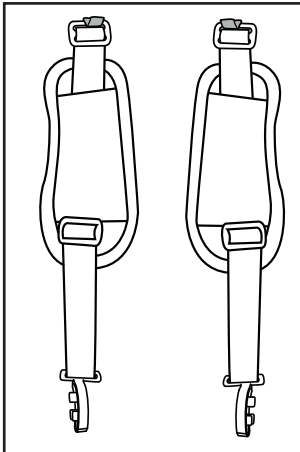
33. To attach the crotch strap pad, thread the crotch strap through the crotch pad. Locate both positioner strap tabs and insert the tab into the opening below the crotch buckle and the slot on the D-ring. Pull the positioner tab through to the back of the crotch buckle, as shown.

How to Reattach the Seat Pads

34



34. To attach the shoulder strap pad, thread the shoulder strap through the shoulder pad. Locate the positioner strap tab and insert the tab into the slot on the D-ring, as shown. Repeat for the other shoulder strap pad.



Cleaning and Maintenance

This product requires regular maintenance. The cleaning and maintenance of the stroller must only be carried out by an adult.

CLEANING

Removable fabric parts of the product may be machine washed separately in cold water and mild soap on delicate cycle. No bleach. Drip dry.

Periodically wipe clean plastic parts with a soft damp cloth. Always dry the metal parts to prevent the formation of rust if the stroller has come into contact with water.

MAINTENANCE

Lubricate the moving parts only if necessary, with a light application of a silicone based lubricant. Periodically check the condition of the wheels, and keep them clean of dust and sand. To avoid friction that may prevent the correct operation of the stroller, ensure that all the movable plastic parts placed along the metal frame are clean of dust, dirt or sand. Keep the stroller in a dry place. Prolonged exposure to direct sunlight may cause the fabric to fade.

For More Information

If you have any questions or comments about this product, or are missing any of the parts please do not return this product to the store. Contact us in one of the following ways:



(877)-424-4226



info.usa@artsana.com



www.chiccousa.com



1826 William Penn Way
Lancaster, PA 17601



www.chiccousa.com