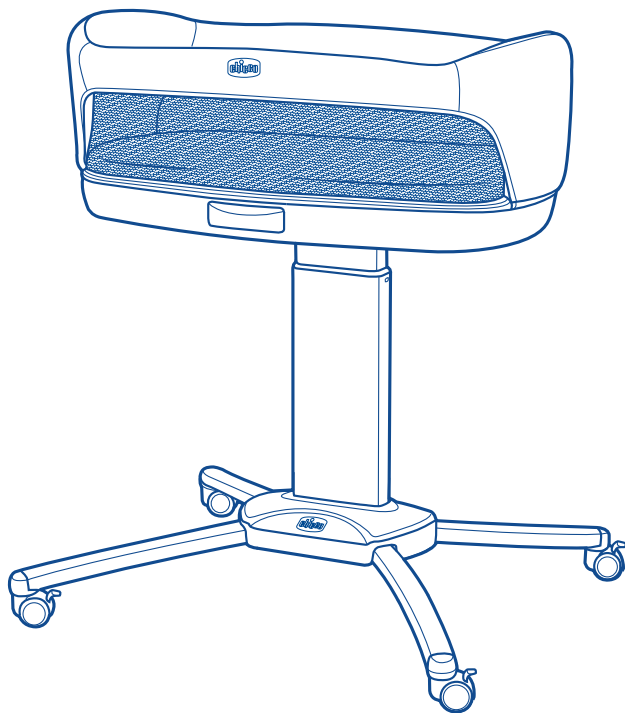




Read all instructions BEFORE  
assembly and USE of product.  
KEEP INSTRUCTIONS FOR  
FUTURE USE.



# Close toYou **SE**

## Bedside Bassinet

### Owner's Manual

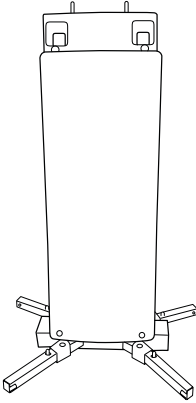
# **WARNING**

**Failure to follow these warnings and the instructions could result in serious injury or death. For your child's safety, read the labels and owner's manual before using the product.**

- PLEASE READ THESE INSTRUCTIONS CAREFULLY TO ENSURE THE SAFETY OF YOUR CHILD.
- ALWAYS PROVIDE THE SUPERVISION NECESSARY FOR THE CONTINUED SAFETY OF YOUR CHILD.
- SUFFOCATION HAZARD - Infants have suffocated:
  - In gaps between extra padding and side of the bassinet, and
  - On soft bedding.
  - Use ONLY the pad provided by Chicco. Never add a pillow, comforter, or another mattress for padding.
  - If a sheet is used with the pad, use only a fitted sheet specifically designed to fit snug with at least 2" (5cm) under all sides of the pad.
  - Strings and cords can cause strangulation! DO NOT place items with a string around child's neck such as hood strings, pacifier cords, etc.
  - DO NOT suspend strings over the product or attach strings to toys.
  - DO NOT place the product near a window where cords from blinds or drapes can strangle a child.
- FALL HAZARD - To help prevent falls, do not use the bassinet when the infant begins to push up on hands and knees or has reached 20lbs (9kg), whichever comes first.
- DO NOT use this product to transport child from room to room.
- DO NOT carry bassinet with child in it.
- Before use, remove and dispose of all plastic bags and packaging materials and keep them out of reach of children.
- Do not use accessories, spare parts, or any component not supplied or approved by Chicco as they may make the product unsafe.
- Keep product away from stoves, heaters, fireplaces and other hazards which can cause injury to your child.
- To reduce the risk of SIDS (Sudden Infant Death Syndrome), pediatricians recommend healthy infants be placed on their back to sleep unless otherwise advised by your physician.
- DO NOT place more than one child in bassinet.
- Never use this product if there are any loose or missing fasteners, loose joints, broken parts, or torn mesh/fabric. Check periodically during use. Contact Chicco for replacement parts and instruction if needed. Never substitute parts.

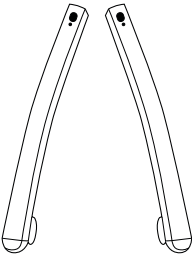
## Parts List

**A.**



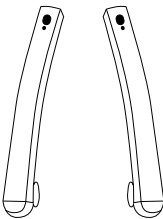
A. - Base

**B.**



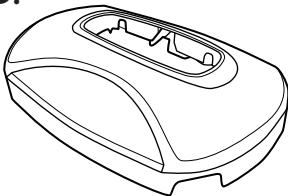
B. - Front Legs (long)

**C.**



C. - Rear Legs (short)

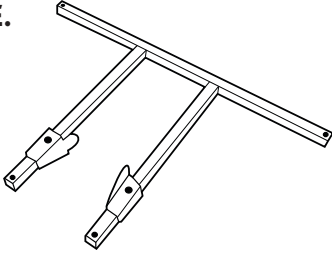
**D.**



D. - Base Cover

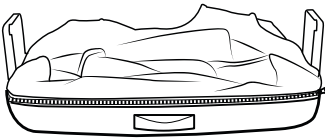
## Parts List

**E.**



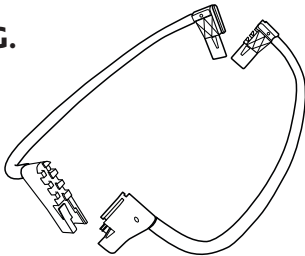
E. - Bassinet Support

**F.**



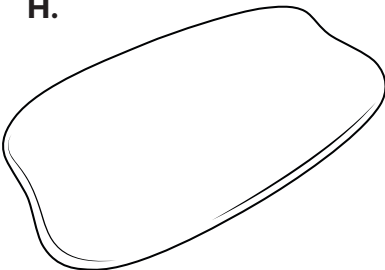
F. - Bassinet Floor and Fabric

**G.**



G. - Bassinet Rails

**H.**



H. - Mattress

## How to Assemble the Bedside Bassinet

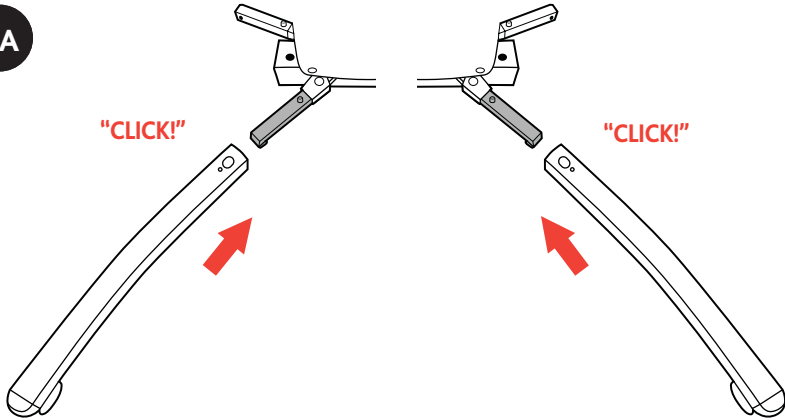
### **WARNING**

Before use, remove and dispose of any plastic bags and keep them out of reach of children to avoid the danger of suffocation. Failure to follow these warnings and instructions could result in serious injury or death.

This product requires adult assembly.

## How to Assemble the Bedside Bassinet

1A

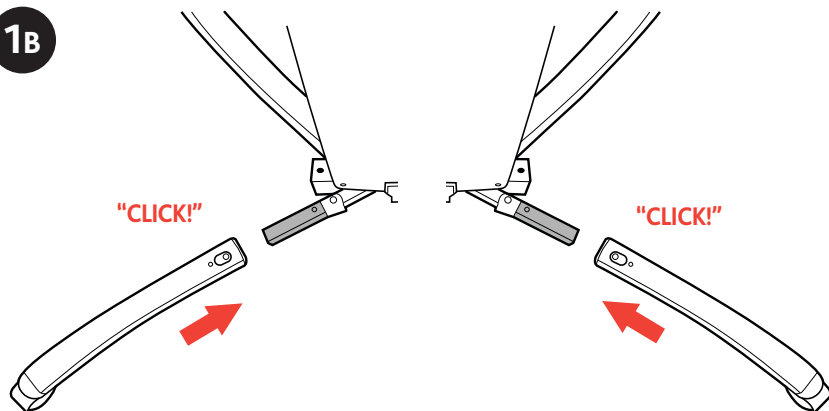


1A. Attach a long Front Leg (B) to base as shown, then attach other Front Leg. Pull on both Front Legs to make sure they are secure.

Note: Each leg will only fit to the correct attachment post.

## How to Assemble the Bedside Bassinet

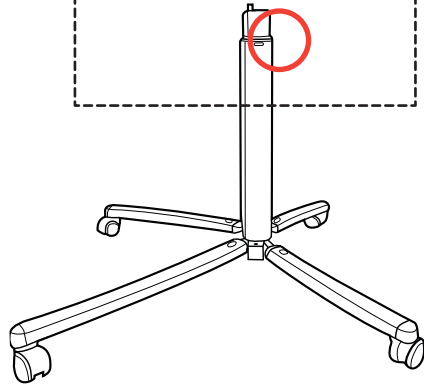
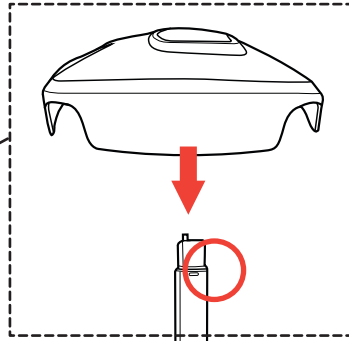
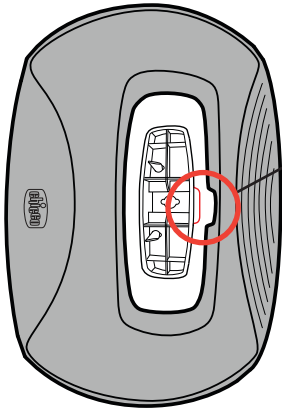
1B



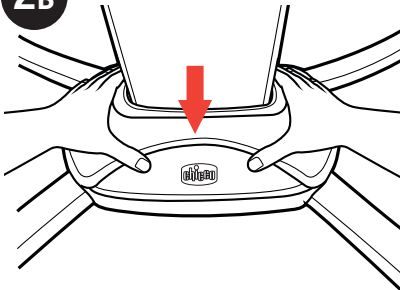
1B. Attach a short Rear Leg (C) to base as shown, then attach other Rear Leg. Pull on both Rear Legs to make sure they are secure.

## How to Assemble the Bedside Bassinet

2A



2B



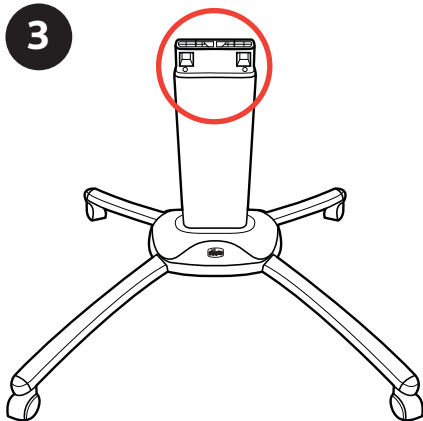
2A. Line up the tab on the base to the cutout on the Base Cover. Slide the Base Cover onto the Base. Make sure that the Chicco logo is on the same side as the Front Legs (B), as shown.

2B. Push down on the Base Cover until it seats into place.

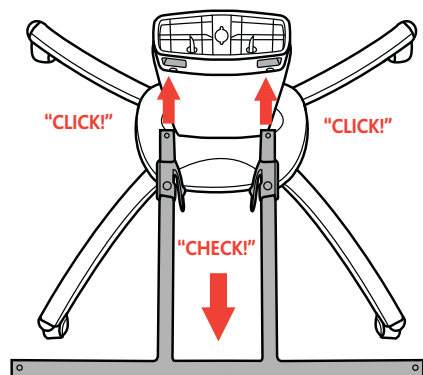


## How to Assemble the Bedside Bassinet

3

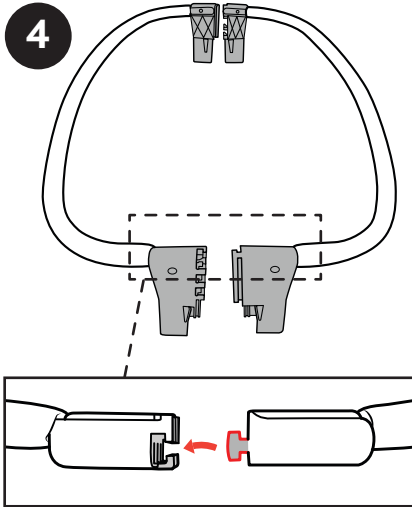


3. Locate the large square openings on the front side (with the longer legs) of the Base, insert the Bassinet Support into the Base, as shown. Pull on the Bassinet Support to make sure it is secure.

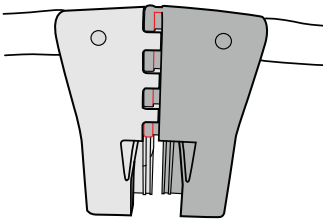
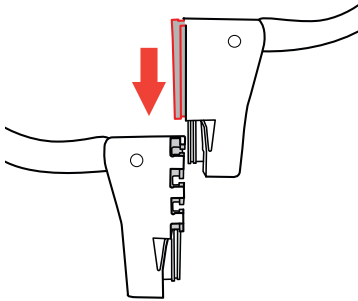


## How to Assemble the Bedside Bassinet

4

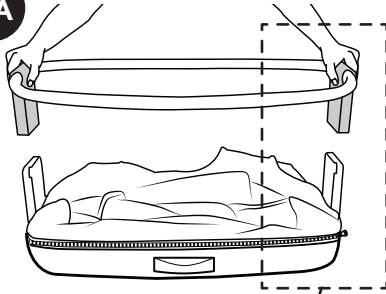


4. To attach both sections of the Bassinet Rails together, line up the Bassinet Rail ends. Then slide the male end down into the grooves, as shown.

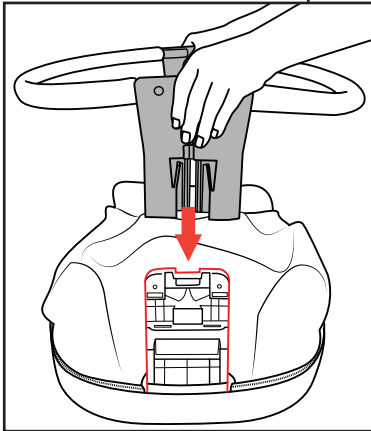


## How to Assemble the Bedside Bassinet

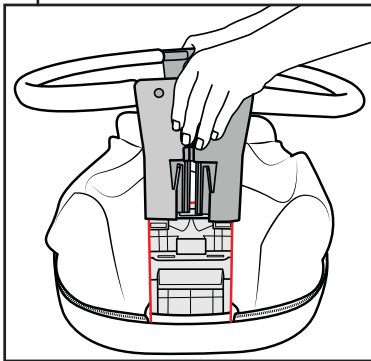
5A



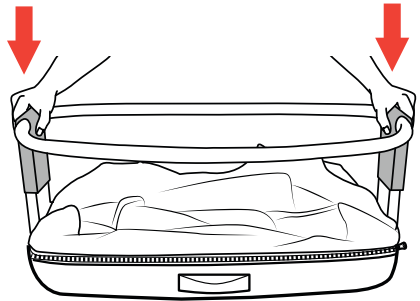
5A. Grasp both sections of the Bassinet Rails together and line up the Rail ends with the Bassinet posts.



5B. Slide the Bassinet Rail ends onto the Bassinet posts, and push down until they click into place.

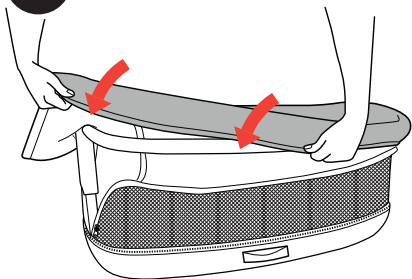


5B

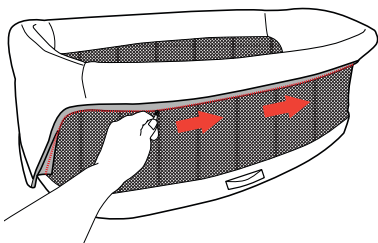


## How to Assemble the Bedside Bassinet

6

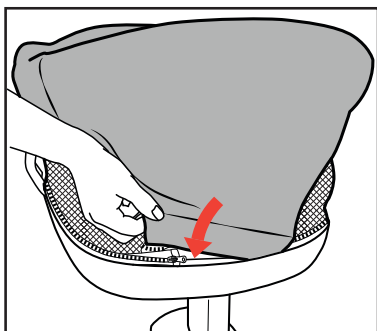
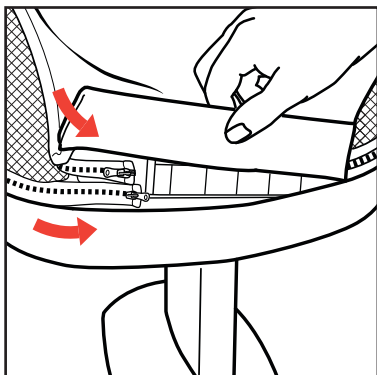


6. Pull the Bassinet fabric up and over the top of the Bassinet Rails. On one side of the Bassinet, locate both ends of the zipper, and zip it together. Repeat for the other side.



## How to Assemble the Bedside Bassinet

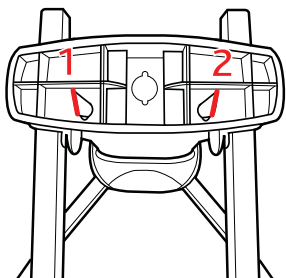
7



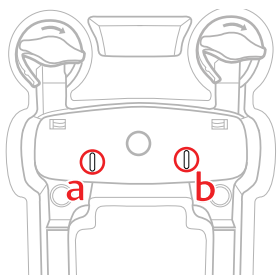
7. Tuck the ends of the zippers behind the fabric and post. Insert the fabric tabs into the groove of the Bassinet Base as shown.

## How to Assemble the Bedside Bassinet

8A

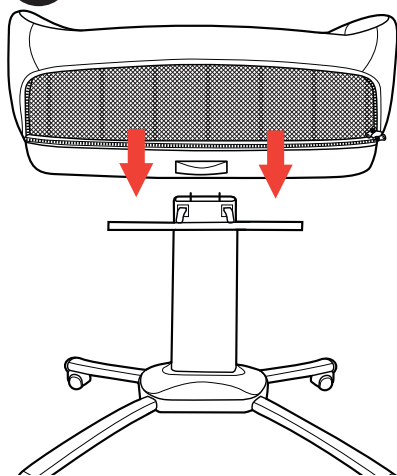


Bottom Bassinet View



8A. Locate the two openings on bottom of the Bassinet and the 2 metal pins on top of the Base. Make sure that the openings a, b and pins 1, 2 are oriented as shown.

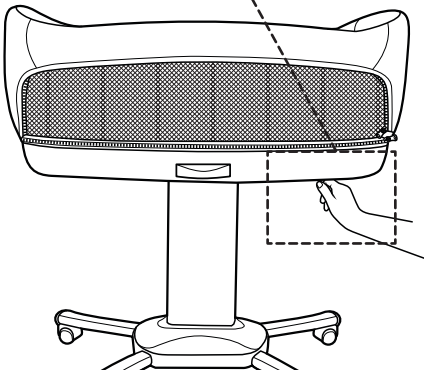
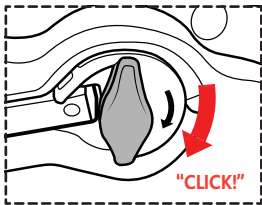
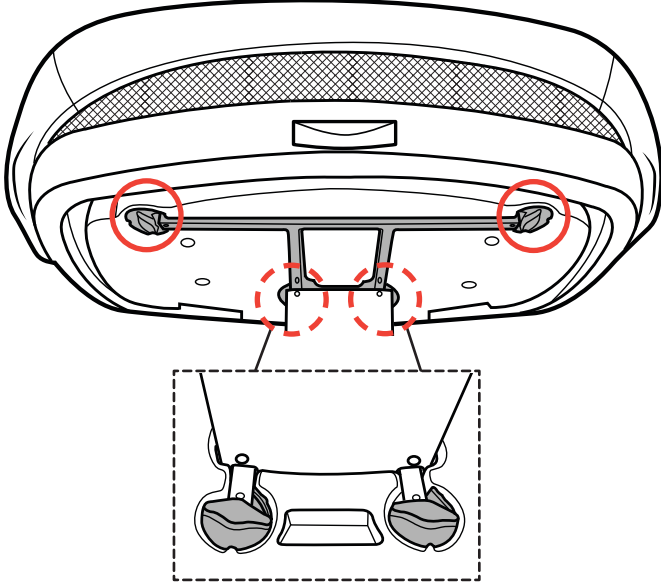
8B



8B. Place the Bassinet onto the Base. Make sure to line up the Bassinet to the Bassinet Support and the metal pins 1, 2 on the Base.

## How to Assemble the Bedside Bassinet

9



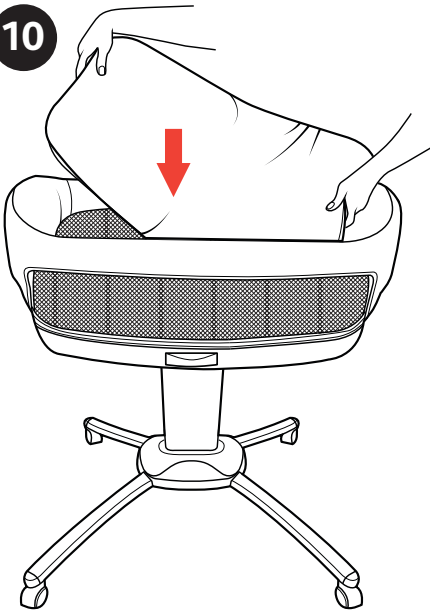
9. Lock the Bassinet onto the Base. Turn the four (4) locks on the bottom of the Bassinet in the direction of the arrow until they click into place and cover the end of the Bassinet Support. Check that Bassinet is secured to the Base.

## How to Assemble the Bedside Bassinet

### **⚠ WARNING**

**FALL HAZARD** - To help prevent falls, stop using the bassinet when infant begins to push up on hands and knees or weighs over 20lbs. (9kg), whichever comes first.

**10**

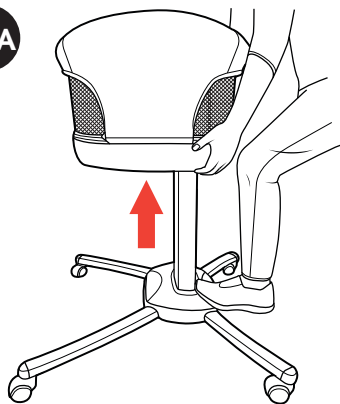


10. Insert the mattress into the Bassinet, as shown. Check that the mattress is flat after inserting.



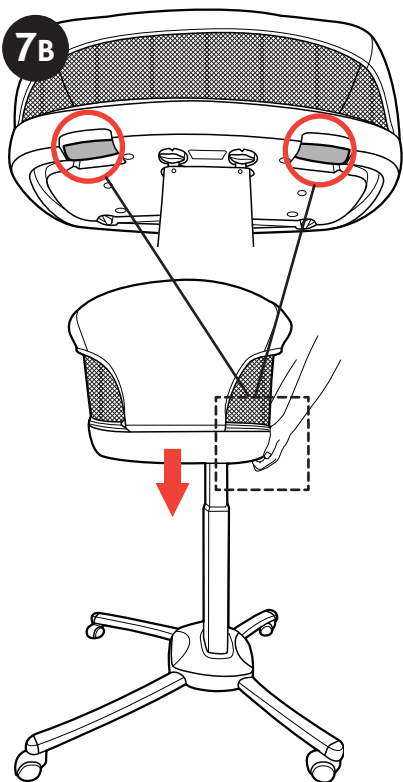
## Using the Bedside Bassinet

11A



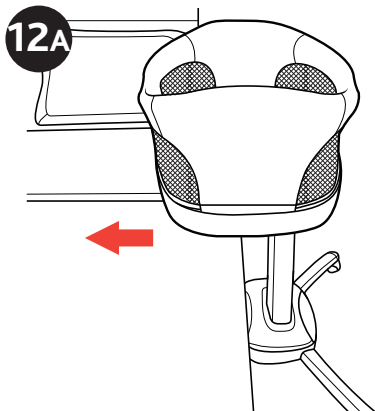
11A. To raise the Bassinet, pull up on the Bassinet, as shown. After reaching desired height, push down on the Bassinet to make sure it is secure.

7B



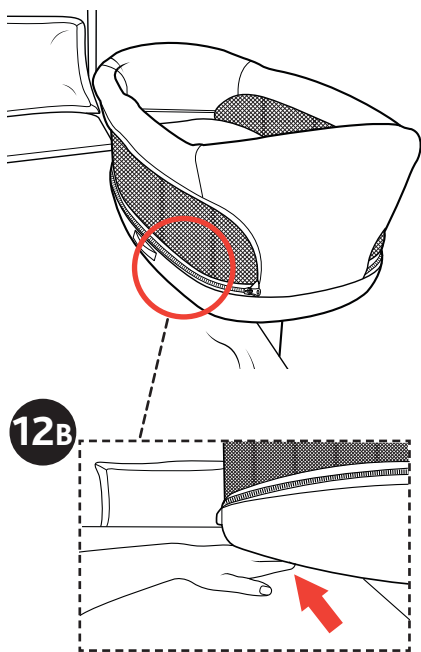
11B. To lower the Bassinet, locate both levers on the back of the Bassinet. Squeeze on the levers and lower the Bassinet down to desired height. Release both levers to lock the Bassinet into position. Push on the Bassinet to make sure it is secure.

## Bedside Bassinet Mode



12A. To use in the Bedside Bassinet Mode. Raise the Bassinet above the top edge of the mattress. Move the Bassinet over the mattress and up to the side of the bed. Adjust the Bassinet down until the front bottom edge of the Bassinet is slightly above the top of the mattress.

Note: Minimum clearance between the bottom edge of the bed and the Floor is 5 inches.



12B. Check to make sure the Bassinet Bottom is not snug against the mattress top. Make sure that you can move your hand through the gap created by the bottom of the Bassinet and mattress, as shown.

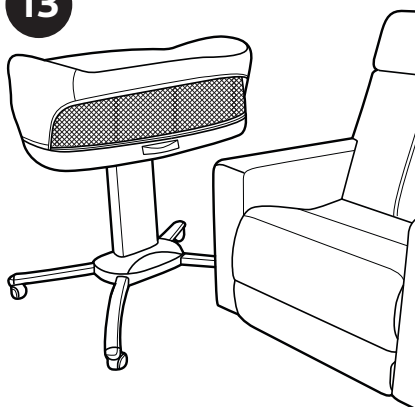


## Bassinet Mode

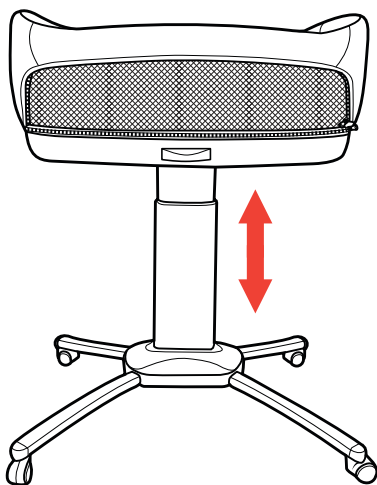
### **⚠️ WARNING**

DO NOT use this product to transport child from room to room.

**13**

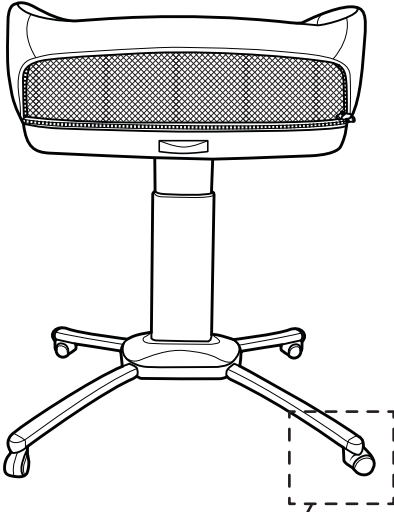


13. To use in the Bassinet Mode. Move the Bassinet to your preferred location. Adjust the Bassinet to the desired height.

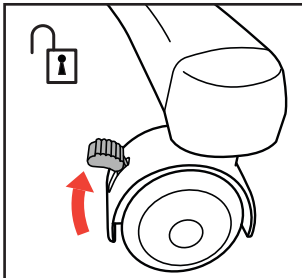
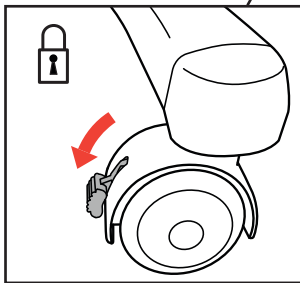


## Wheels and Brakes

14

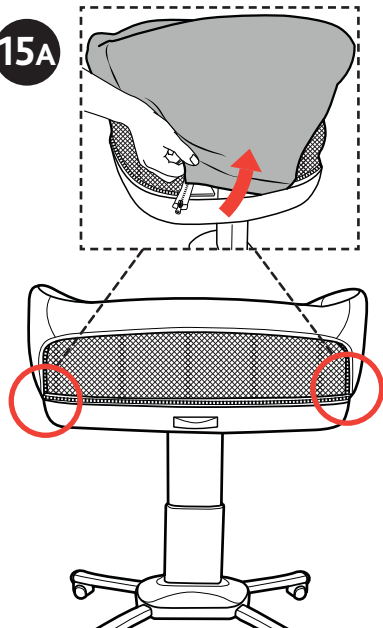


14. To apply the brakes, lower the wheels locking levers. To release the brakes raise the wheels locking levers.



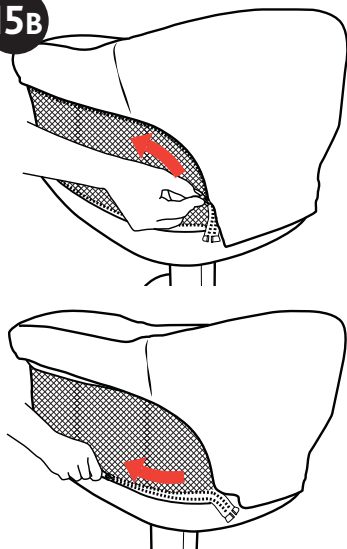
## Softgoods Removal

15A



15A. To remove the fabric, pull out the fabric tab tucked into the Bassinet base on one end. Repeat for the other side.

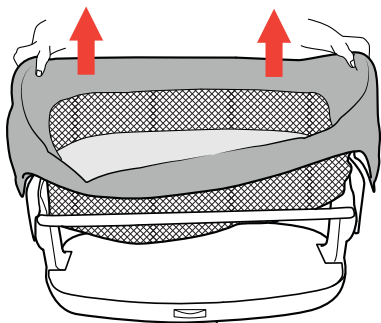
15B



15B. Undo all 4 zippers, 2 on each side, as shown.

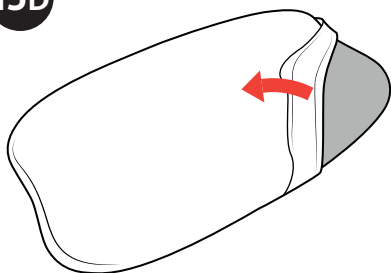
## Softgoods Removal

15c



15C. Remove the fabric from the Bassinet frame.

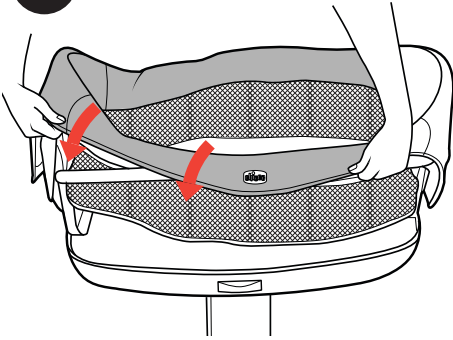
15D



15D. The Mattress fitted sheet can be washed. Slip the fitted sheet over the edges of the Mattress pad and remove. Reverse this step to slip the fitted sheet onto the Mattress pad.

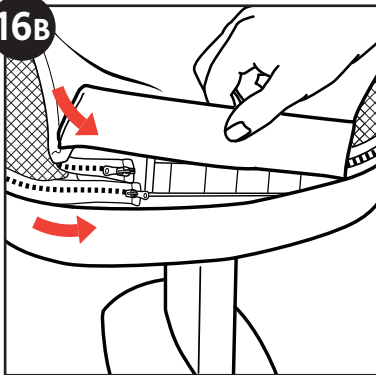
## Softgoods Removal

16A



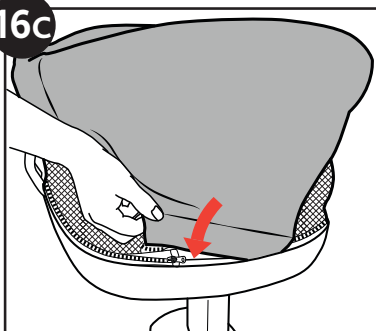
16A. To re-attach the fabric, make sure the logo faces the front handle. Pull the edges of the fabric around the top rails.

16B



16B. Redo all 4 zippers (2 on each side) and tuck the zipper ends behind the fabric.

16C



16C. Tuck the fabric tabs into the groove in the bassinet base. Follow Step 15A to Step 15C in reverse.

## Cleaning and Maintenance

This product requires regular maintenance. The cleaning and maintenance of the Bassinet must only be carried out by an adult.

### **CLEANING**

Fabric parts of the product may be machine washed separately in cold water and mild soap on delicate cycle. No bleach. Drip dry.

Periodically wipe clean plastic parts with a soft damp cloth. Always dry the metal parts to prevent the formation of rust if the bassinet has come into contact with water.

### **MAINTENANCE**

Periodically check the bassinet for loose screws, worn parts, torn material or stitching. Replace or repair the parts as needed. Use only Chicco replacement parts. Keep the bassinet in a dry place. If bassinet becomes wet open bassinet and allow to dry completely. Prolonged exposure to direct sunlight may cause the fabric to fade and plastic parts to warp.



## For More Information

If you have any questions or comments about this product, or are missing any of the parts please do not return this product to the store. Contact us in one of the following ways:



(877)-424-4226



[info.usa@artsana.com](mailto:info.usa@artsana.com)



[www.chiccousa.com](http://www.chiccousa.com)



1826 William Penn Way  
Lancaster, PA 17601



[www.chiccousa.com](http://www.chiccousa.com)



**⚠️ WARNING:** Avoid serious injury or death to your child. You must read and understand the How to Unlock the Locking Knobs instructions and the instructions in the Owner's Manual. If you do not understand these instructions, **STOP** and call Chicco at 1-877-424-4226.

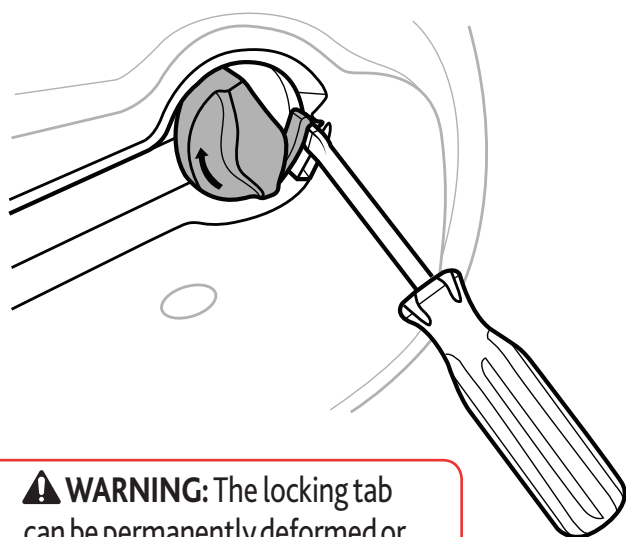
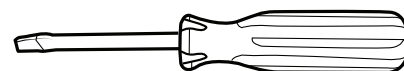
SS0023E\_01

## INSTRUCTIONS: Close to You Bedside Bassinet How To Unlock the Locking Knobs

IMPORTANT: Please also refer to the instructions that came with your product. The Locking Knobs are designed for a onetime assembly. These instructions are provided in case the knobs are in the locked position when received.

### You Will Need:

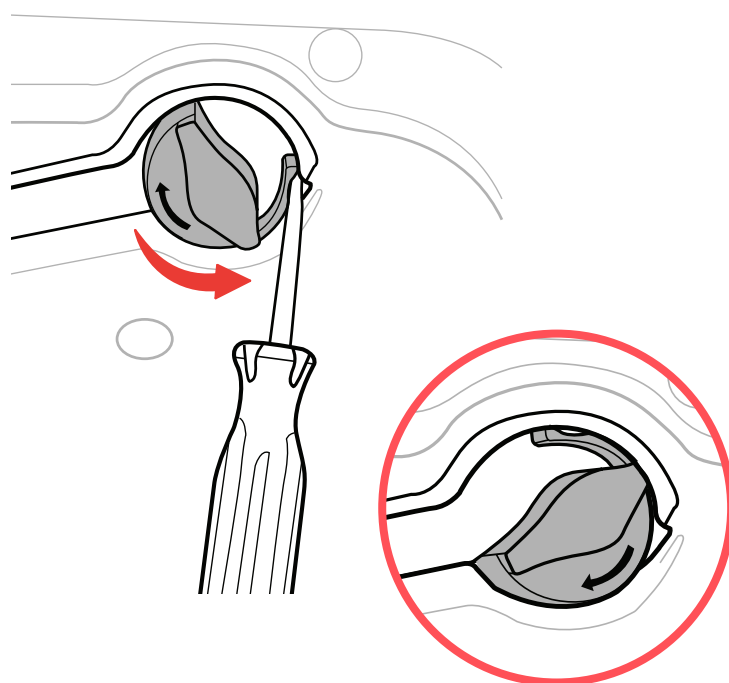
Flat Head Screwdriver



**⚠️ WARNING:** The locking tab can be permanently deformed or broken if pushed in too far while following these instructions.

**1** If locking knobs on underside of Bassinet are already turned to the 'LOCK' position when assembling the bassinet onto the base, you must unlock them before continuing assembly instructions in the Owner's Manual.

Insert a Flat Head Screwdriver in between the light gray bassinet frame and the charcoal gray locking tab, as shown.



**2** Gently push the charcoal gray locking tab in away from the light gray bassinet frame only enough to slide over the light gray notch area. Now rotate the Locking Knob counterclockwise until it is in the unlocked position.