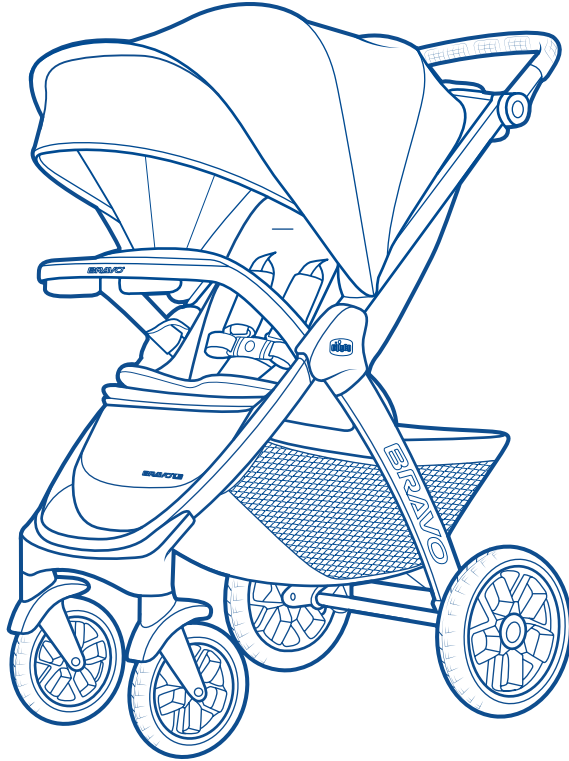




Read all instructions BEFORE  
assembly and USE of product.  
KEEP INSTRUCTIONS FOR  
FUTURE USE.



# Bravo<sup>®</sup> LE Stroller

Owner's Manual



**Failure to follow all warnings and instructions may result in serious injury or death. For your child's safety, read the labels and owner's manual before using the product.**

- PLEASE SAVE OWNER'S MANUAL FOR FUTURE USE.
- ADULT ASSEMBLY REQUIRED.
- NEVER LEAVE CHILD UNATTENDED. Always keep child in view while in the stroller.
- AVOID SERIOUS INJURY from falling or sliding out. Always use seat belt. After fastening buckles, adjust belts to get a snug fit around your child.
- AVOID FINGER ENTRAPMENT: Use care when folding and unfolding the stroller. Be certain the stroller is fully opened and latched before allowing your child near the stroller.
- USE OF THE STROLLER with a child weighing more than 50 lbs (22.7 kg), will cause excessive wear and stress on the stroller. Use the stroller with only one child at a time.
- STROLLER TO BE USED only at walking speed. Product not intended for use while jogging, skating, etc.
- TO PREVENT A HAZARDOUS, UNSTABLE CONDITION, never place purses, shopping bags, parcels or accessory items on the canopy or handle. Do not place more than 10 lbs (4.5 kg) in the storage basket.
- DO NOT use storage basket as a child carrier.
- Avoid burns. Never put hot liquids in cup holder. Do not place more than 3 lbs (1.4 kg) on the parent tray/cup holder.
- NEVER ALLOW YOUR STROLLER to be used as a toy.
- DISCONTINUE USING YOUR STROLLER should it become damaged or broken.
- AVOID STRANGULATION. DO NOT place items with a string around your child's neck, suspend strings from this product, or attach strings to toys.
- NEVER USE STROLLER ON STAIRS or escalators. You may suddenly lose control of the product and your child may fall out. Also, use extra care when going up or down a step or curb.
- Do not attempt to attach any infant car seat to the stroller other than a Chicco infant car seat. Injury or death may result when attempting to use this stroller in conjunction with infant car seats from other manufacturers.
- Before use, remove and dispose of all plastic bags and packaging materials and keep them out of reach of children.



**Failure to follow all warnings and instructions may result in serious injury or death. For your child's safety, read the labels and owner's manual before using the product.**

- Before assembly, check that the product and all of its components have not been damaged during transportation.
- Do not use accessories, spare parts, or any component not supplied or approved by Chicco as they may make the stroller unsafe.

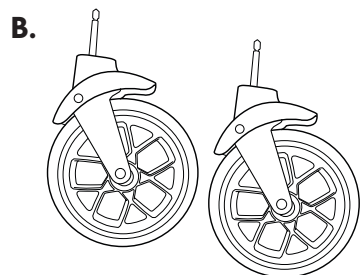
#### **Using Chicco Infant Car Seat with stroller:**

- Child's Tray must be properly attached to use a Chicco infant car seat.
- ONLY USE a Chicco infant car seat with this stroller.
- Only use this product to transport infants that are within the size and weight limitations of the infant car seat.
- FALL HAZARD: Always check that infant car seat is securely attached to stroller frame by pulling up on the infant car seat.
- ALWAYS SECURE your child with the car seat harness. Always make sure child is properly harnessed in the car seat.
- Refer to your Chicco infant car seat owner's manual for additional warnings and use instructions before using this product.

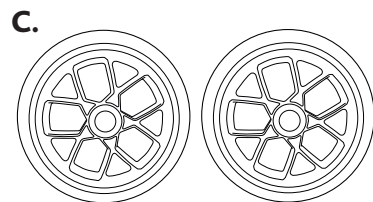
## Components



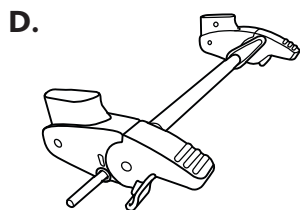
A. - Stroller Frame



B. - Front Wheels

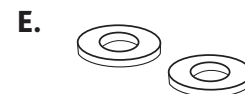


C. - Rear Wheels



D. - Rear Axle Assembly

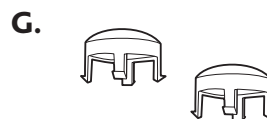
## Components



E. - Washers

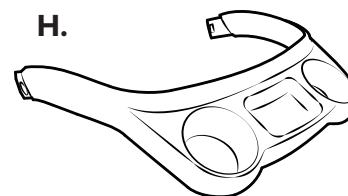


F. - Pins

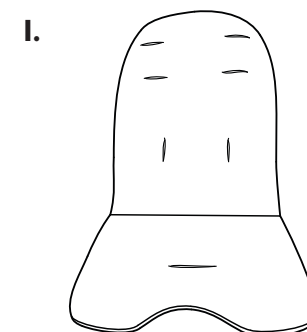


G. - Hubcaps

**Note:** Parts E, F, and G are in a small red bag with the rear wheels.



H. - Child's Tray



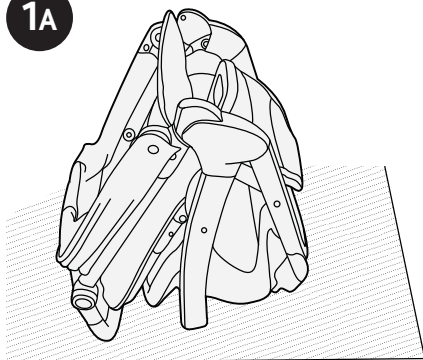
I. Soft Insert

## How to Assemble Stroller

### **⚠️WARNING**

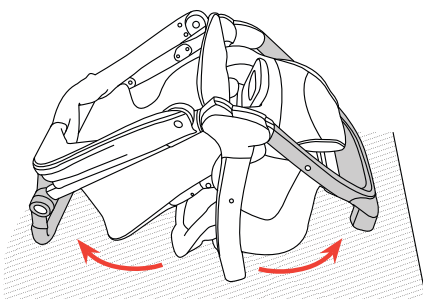
When opening the Stroller, ensure that your child, or other children, are at a safe distance. Ensure that during these operations, the movable parts of the Stroller do not come into contact with your child.

1A



If you have hardwood floors or linoleum you may want to perform this step on carpeting or lay down some protection for your floors.

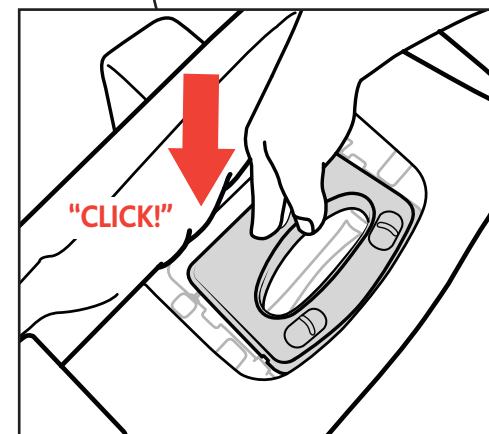
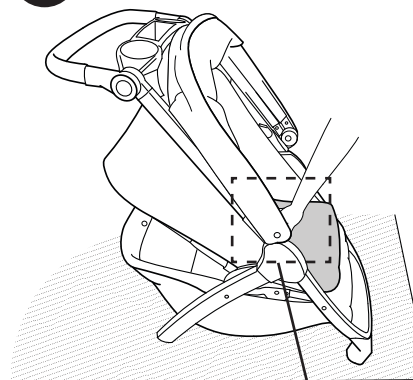
1A. Stand the Stroller Frame (A) on end and unfold the frame as shown.



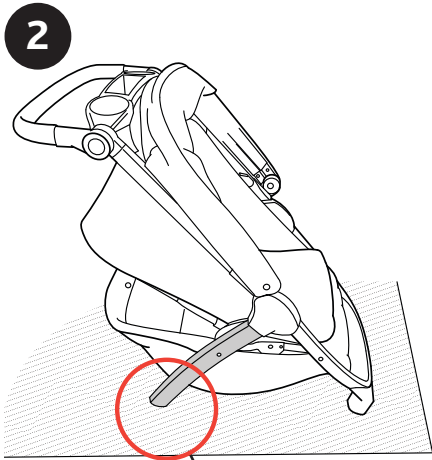
## How to Assemble Stroller

1B

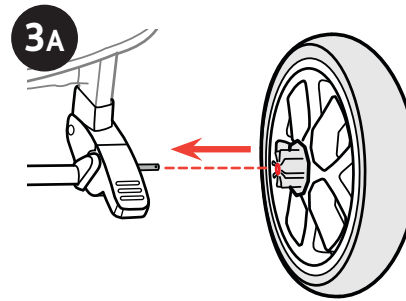
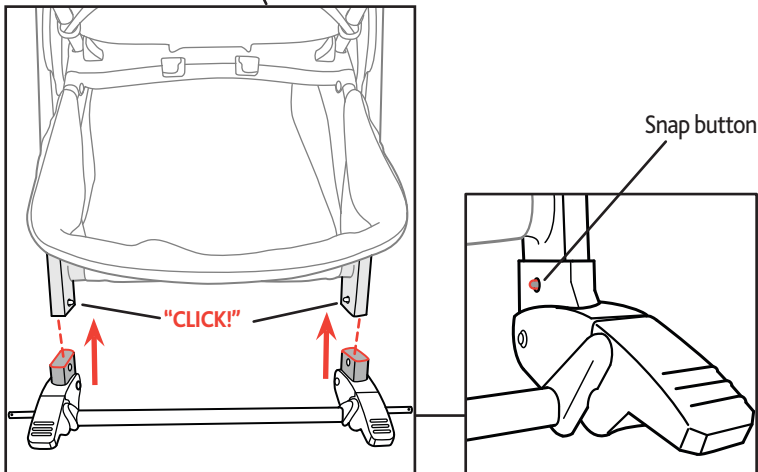
1B. Press down **FIRMLY** on the seat to make sure that the frame is locked.



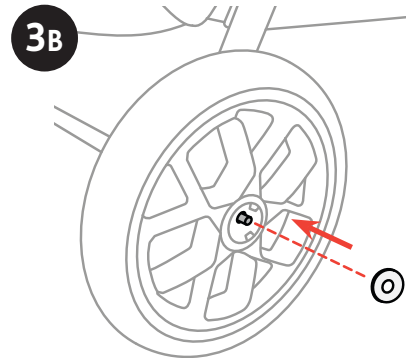
## How to Assemble Stroller



2. Attach the Rear Axle Assembly (D) to the Stroller Frame, as shown. The Rear Axle Assembly is attached when the snap buttons click into the holes on the Rear Axle mount.

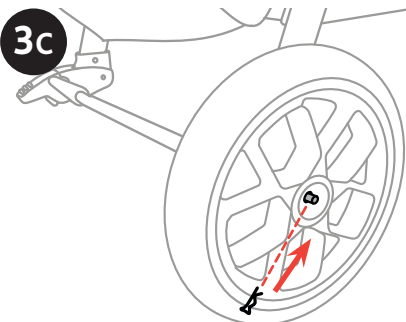


3A. On one side of the Rear Axle, slide a Rear Wheel (C), and turn the Wheel until the brake tab fits into one of the grooves on the Wheel.

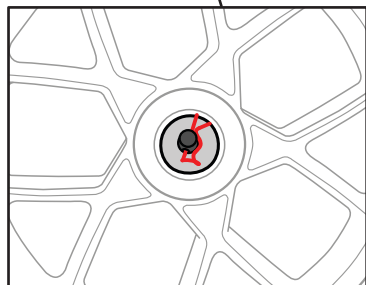
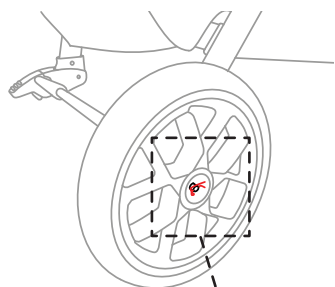


3B. On the same side, slide a Washer (E) onto the Rear Axle.

## How to Assemble Stroller



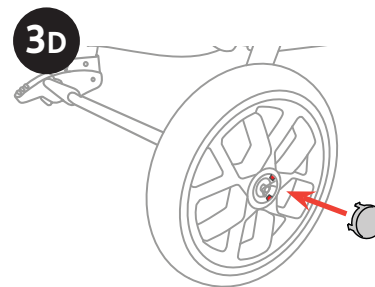
3C. Secure the Wheel to the Rear Axle using a Pin (F). Push the straight side of the Pin through the hole on the Rear Axle. The curve on the Pin must curve around the outside of the Rear Axle, as shown. Make sure Washer is between the Pin and Wheel. Repeat Steps 3A-3C for other side.



## How to Assemble Stroller

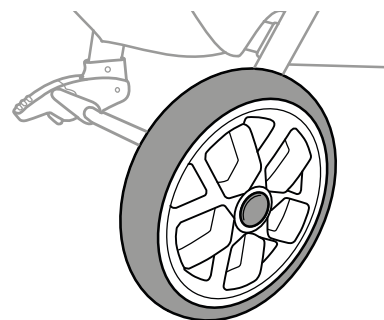
### ⚠ WARNING

Check that the wheels are fitted correctly.



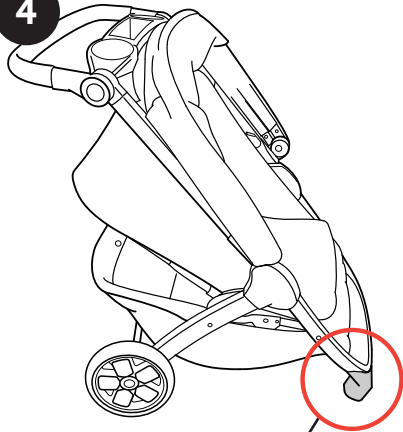
3D. Line up the tabs on the Hubcaps (G) with the holes on the Wheel. Snap the Hubcap onto the Wheel to cover the Washer and Pin. Repeat Step 3D for other side.

Pull on each Wheel to make sure the Wheel assembly is securely attached to the frame.



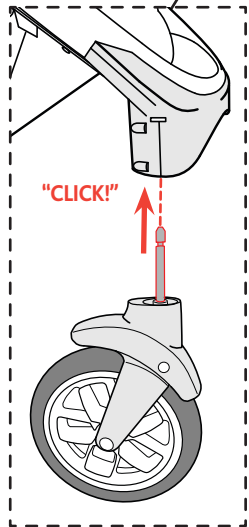
## How to Assemble Stroller

4



4. Attach the Front Wheel (B) to the Stroller Frame by lining up and inserting the Front Wheel Pin into the corresponding opening on the Stroller Front Leg, as shown. Repeat for the other side.

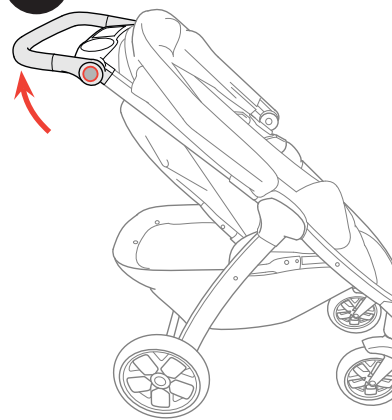
Make sure both Wheels are secure by pulling down on Wheel assemblies.



## How to Adjust the Handle

5

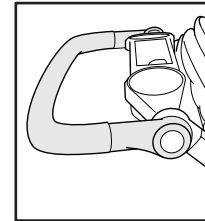
"CLICK!"



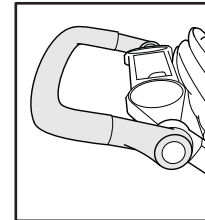
5. Rotate the Parent Handle up from the closed position until it locks into the 1st position. The Parent Handle height can be adjusted to 3 positions, as shown.

Push in on both side Buttons to release the Parent Handle. Then rotate the Parent Handle up or down to the desired position.

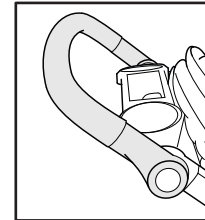
1.



2.

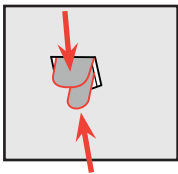


3.

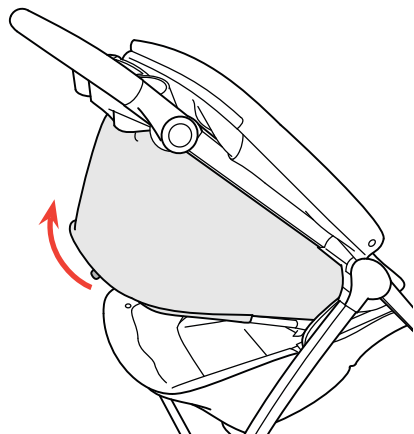
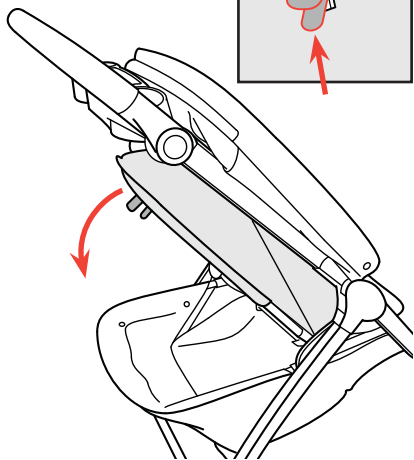


## How to Recline the Seat

6

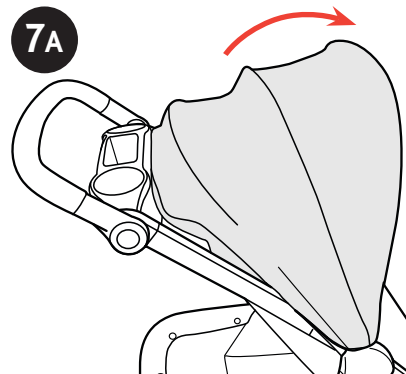


6. To Recline the Backrest, squeeze both levers together and pull down on the Backrest. To adjust the Backrest into an upright position, push up on the Backrest until it locks into the desired position.



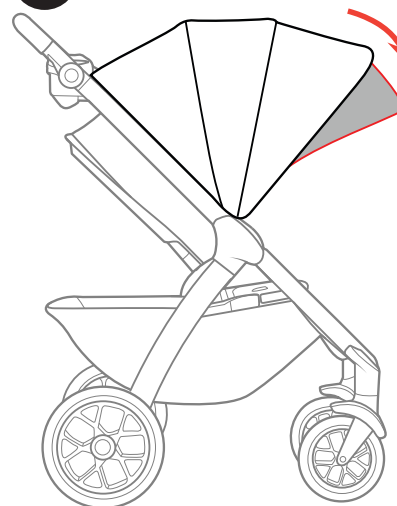
## How to Use the Canopy

7A



7A. Pull the front edge of the Canopy forward to open the Canopy. Extending to last panel reveals mesh window. Reverse this step to close the Canopy.

7B



7B. The Canopy also has an additional extension panel tucked under the front panel. Locate and pull out the additional panel, as shown.

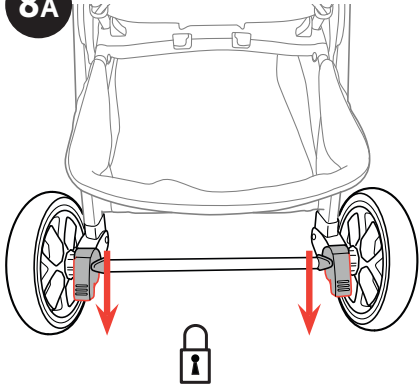


## How to Use the Brakes

### ⚠️ WARNING

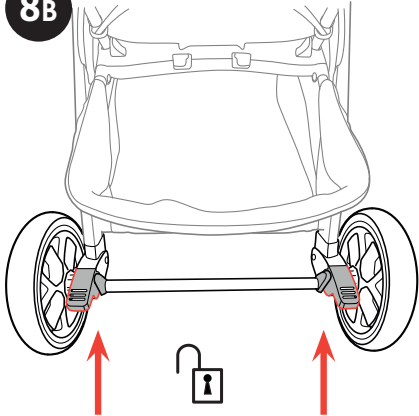
Always apply the brakes whenever the stroller is stationary. Never leave the stroller on a sloped surface, with a child onboard, even with the brakes applied.

8A



8A. Push down on the Brake Lock Levers located on each side of the Rear Wheel assembly, to lock the Rear Wheels.

8B



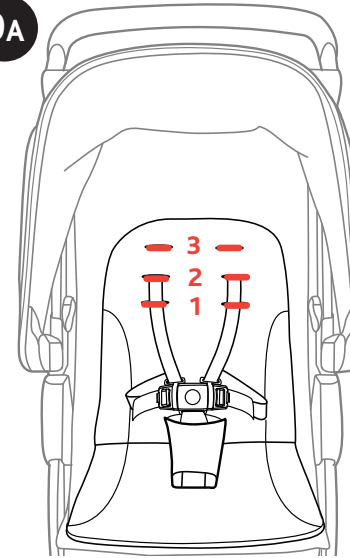
8B. Pull up on the Brake Lock Levers to unlock the Rear Wheels.

## How to Use Safety Harness

### ⚠️ WARNING

This stroller features three harness positions. Always use a harness position located ABOVE the child's shoulder line. If multiple harness positions are above the child's shoulder line, use the one closest to it.

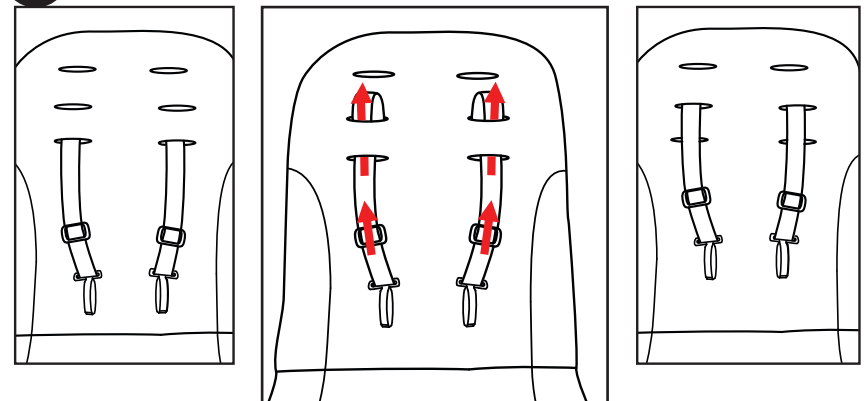
9A



It is recommended that a child under 6 months old ride in the Chicco infant car seat as part of the travel system.

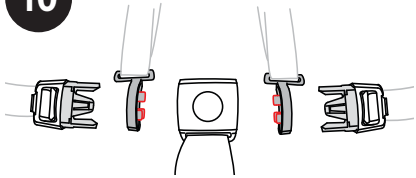
9A. The Shoulder Straps can be adjusted to 3 height positions as shown. To adjust the Shoulder Harness, pull the strap through the correct buttonhole. Always use the same buttonhole height for both straps (9B).

9B



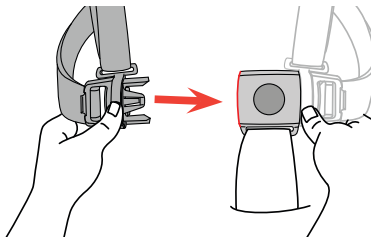
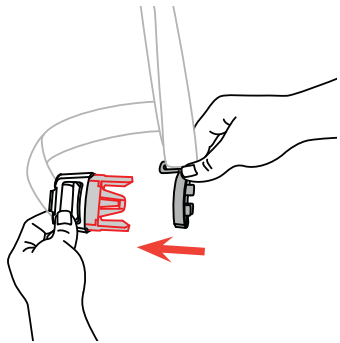
## How to Use Safety Harness

10



10. This stroller has a 5-point safety harness. The Shoulder Strap Connector is designed to break away from the Waist Clip when not secured in the Crotch Strap Buckle.

Make sure the Shoulder Strap Connector is in the correct position, as shown. Slide the Shoulder Strap Connector onto the Waist Strap Clip and repeat for the other side. Then slide both Waist Clips into the Crotch Strap Buckle, as shown. Pull on both sides to make sure the Clips are secured to the Buckle.

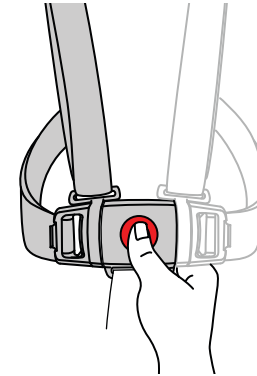


## How to Use Safety Harness

### ⚠ WARNING

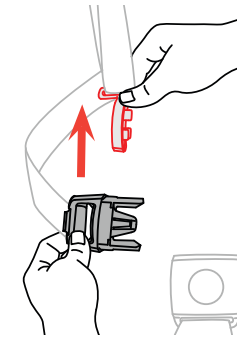
Never leave child unattended. Avoid serious injury from falling or sliding out. Always use seat belt.

11

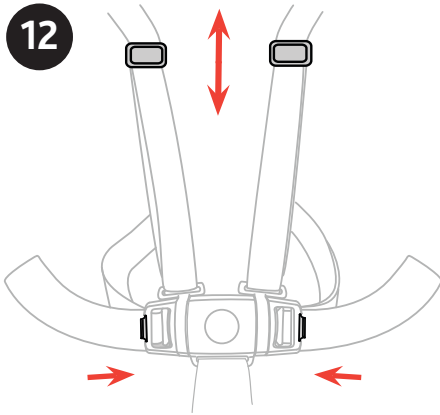


11. The Safety Harness can be released by pressing the button on the center of the Buckle and pulling both Waist Clips out.

Pull up on the Shoulder Strap Connector to remove it from the Waist Strap Clip.



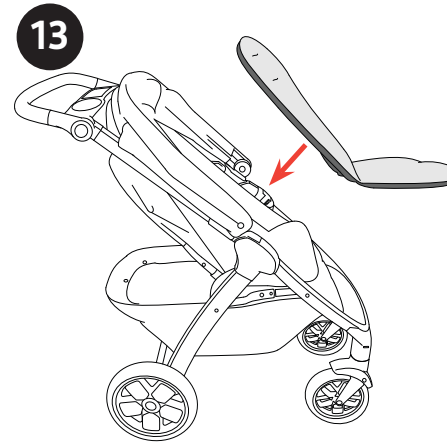
## How to Use Safety Harness



12. The length of the Shoulder Straps can be adjusted by pulling on the adjustment buckles to tighten or loosen.

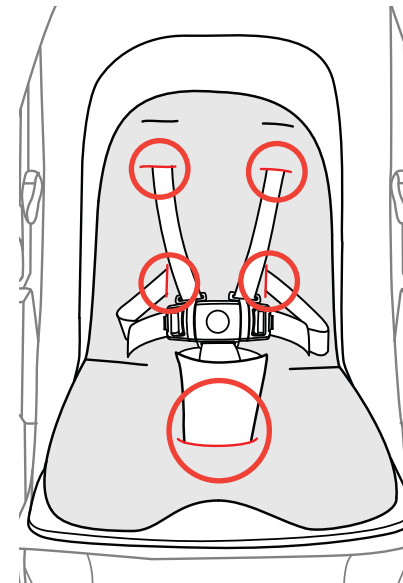
The length of the waist straps can be adjusted. Press the tab at the end of the Waist Strap Clip and pull on the strap to tighten or loosen, to better fit your child.

## How to Use the Soft Insert



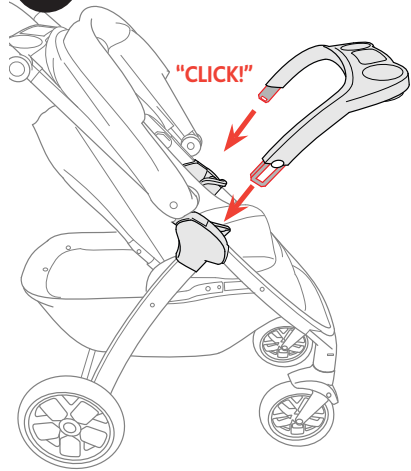
13. Place the Soft Insert (I) into the Stroller seat and thread the Shoulder Straps, Waist Straps and Crotch Strap through the corresponding openings on the Soft Insert, as shown.

Only use Soft Insert for the lower two shoulder harness positions or for a child up to 40 lbs.



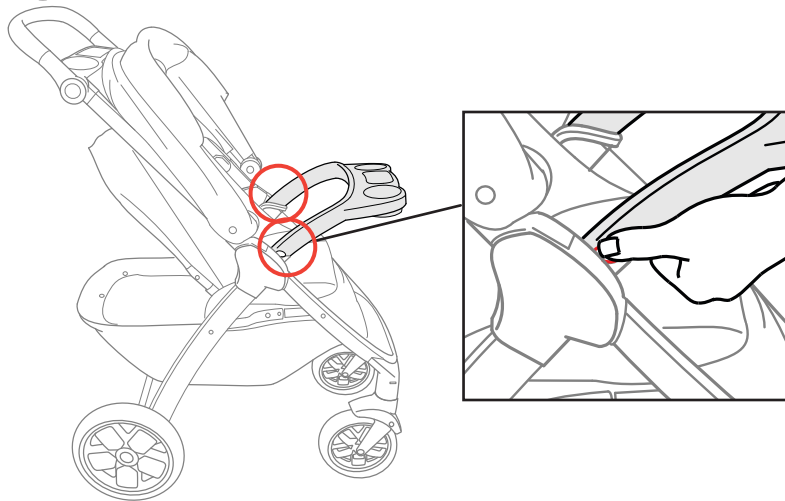
## How to Use Child's Tray

14A



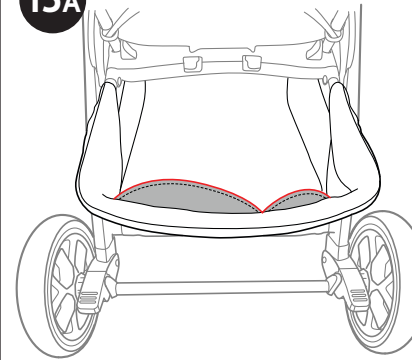
14A. Insert the Child's Tray (H) Tongues into the corresponding openings on the Stroller Frame. To release the Child's Tray, press in on the buttons located at the sides of the Child's Tray, as shown (14B).

14B



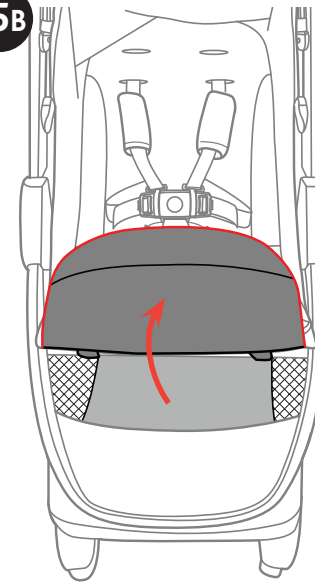
## How to Use the Basket

15A



15A. Inside the Basket on the back panel, locate 2 storage pockets.

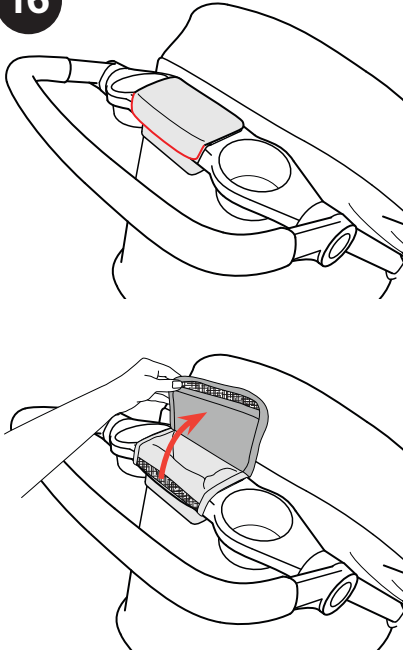
15B



15B. To access the Basket from the front of the Stroller, locate and lift up on the Footrest Pad, as shown.

## How to Use the Accessory Pocket

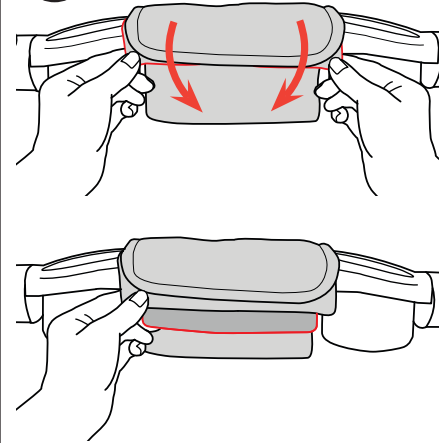
16



16. To access the Accessory Pocket, lift up on the front edge and undo the hook and loop fastener.

## How to Remove the Accessory Pocket

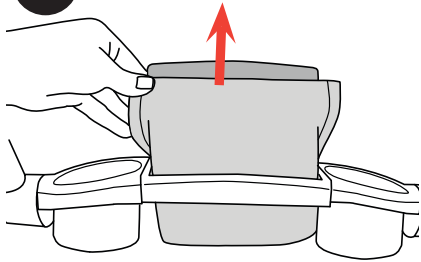
17



17. To remove the Accessory Pocket, flip out the plastic tab from the groove under the front of the Parent Tray.

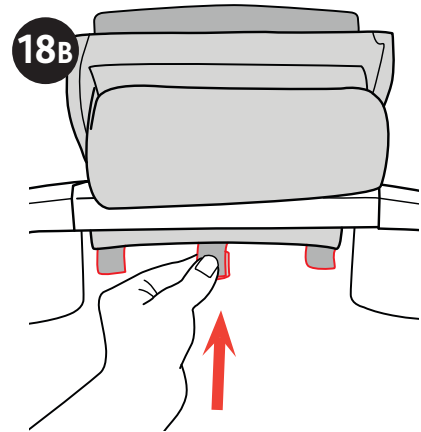
## How to Remove the Accessory Pocket

18A



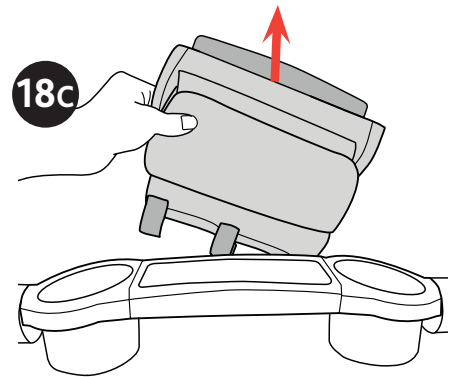
18A. Pull the Accessory Pocket out of the opening on the Parent Tray.

18B



18B. Locate 3 fabric tabs on the bottom of the Parent Tray. Thread the fabric tabs up through the opening that they are threaded through.

18C



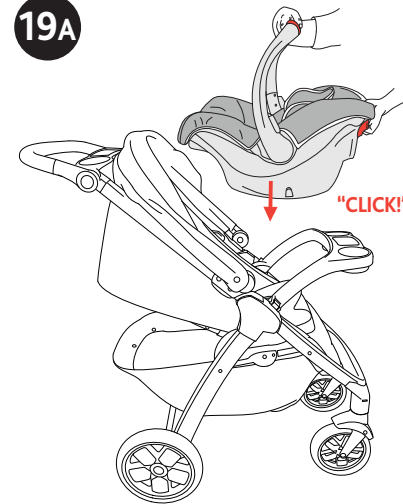
18C. Pull up on the Accessory Pocket to remove it from the Parent Tray.

## Using the Chicco Infant Car Seat

### ⚠️ WARNING

ONLY USE a Chicco infant car seat with this product. Make sure to properly install the Child's Tray prior to using the Chicco infant car seat. Always make sure child is properly harnessed in the car seat. Only use this product to transport infants that are within the size and weight limitations of the infant car seat. Refer to your Chicco infant car seat Owner's Manual for additional warnings and use instructions before using this product.

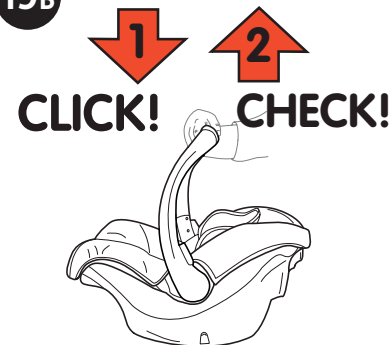
19A



19A. With the Child's Tray attached and the Stroller Backrest **FULLY RECLINED**, place the Chicco infant car seat into the Stroller Frame. The car seat will only fit into the frame "REAR FACING ONLY". The baby will be facing you when pushing the stroller. Make sure infant car seat clicks into the stroller frame on both sides.

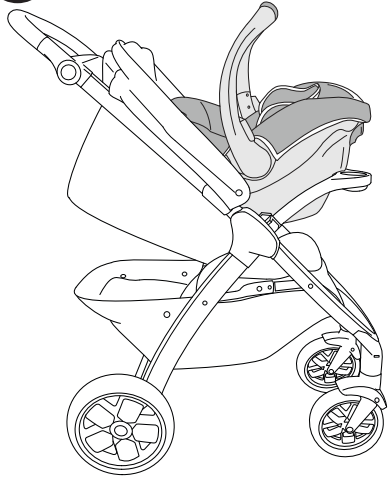
Note: Pull up on the infant car seat; make sure it is secured to stroller frame (19B). If using the Canopy with the infant car seat rotate the handle down to allow the Canopy to fully extend open.

19B

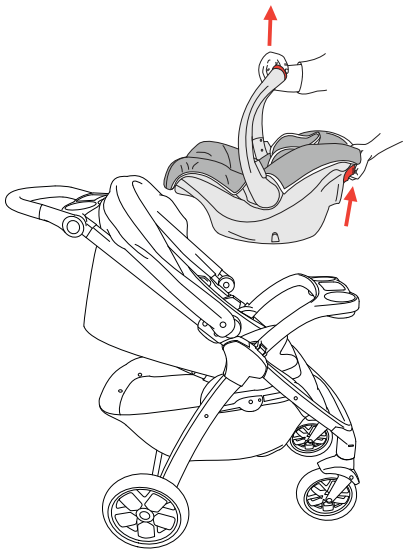


## Using the Chicco Infant Car Seat

20

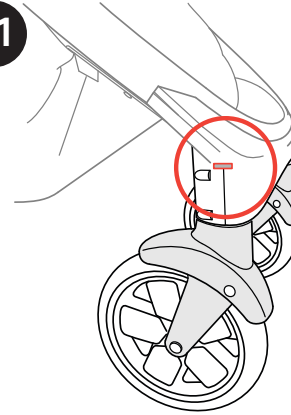


20. Squeeze the Release Handle on the back of the infant car seat and lift up on the carrying handle, to remove the infant car seat.



## How to Remove Front Wheels

21



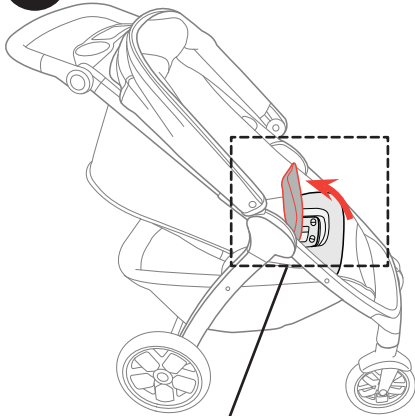
21. Remove the Front Wheels by pushing in on the Release Button, just above the wheel (as shown). And, at the same time, pull the Front Wheel off of the Stroller Frame. Repeat for the other side.

## How to Close the Stroller

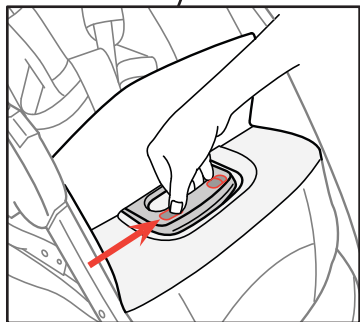
### ⚠️ WARNING

When folding the Stroller, make sure that your child and other children are at a safe distance. Ensure that during the operations, the movable parts of the Stroller do not come in contact with your child.

22

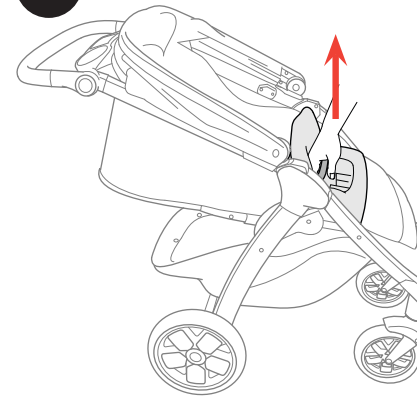


22. If attached, remove the infant car seat. Lift up the Seat Fabric and locate the Fold Handle, as shown. Slide the Handle Release button over and lift up on the Fold Handle.



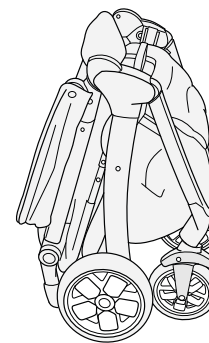
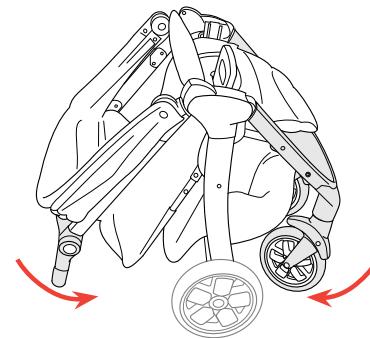
## How to Close the Stroller

23



23. Pull up on the Fold Handle, the Stroller Legs and Seat back will fold down and the front wheels will automatically swivel. The closed Stroller will now stand on its wheels.

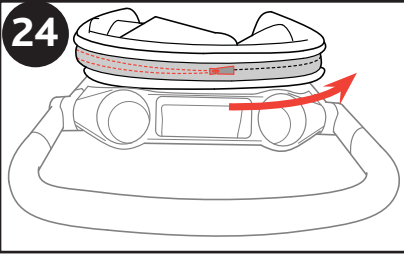
Note: The Fold Handle also acts as a carry handle for the closed stroller.





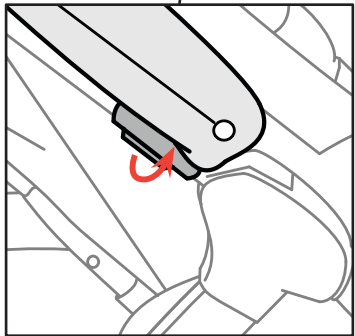
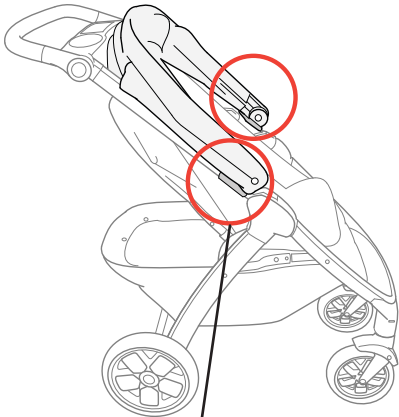
## How to Remove the Seat

24



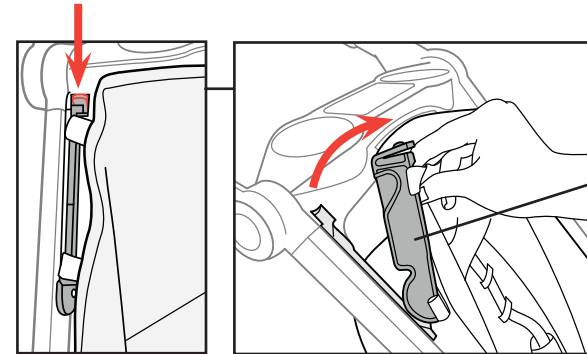
24. Pull the Canopy Zipper up and around the outside of the Canopy, as shown. Then, pull out on the Canopy Clips to remove the Canopy from both sides of the Stroller Frame.

Note: It is not required for the Canopy to be removed to use Stroller in Car Seat Carrier Mode.

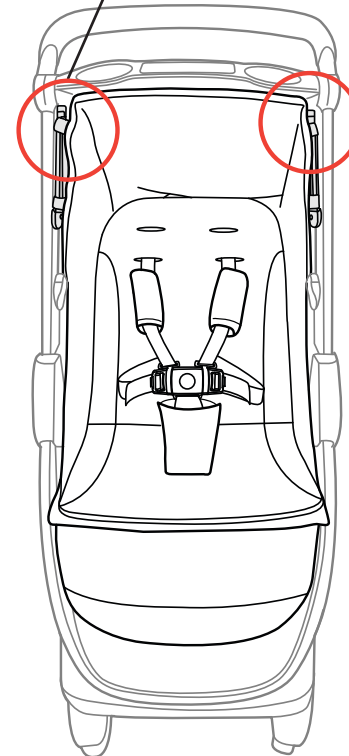


## How to Remove the Seat

25A

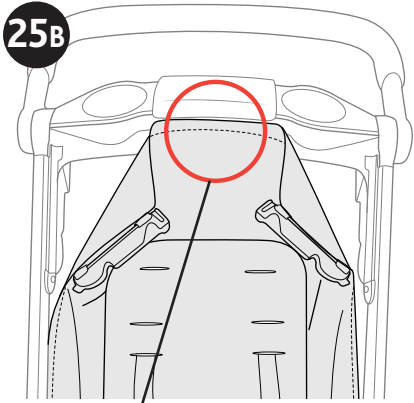


25A. Locate the Fabric Clips on both sides below the Parent Tray (as shown). Press down on the Fabric Clip release button, and at the same time pull out the Fabric Clip from Stroller Frame. Repeat for the other side.

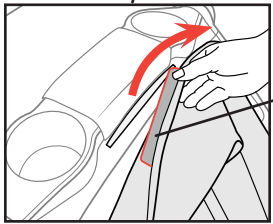


## How to Remove the Seat

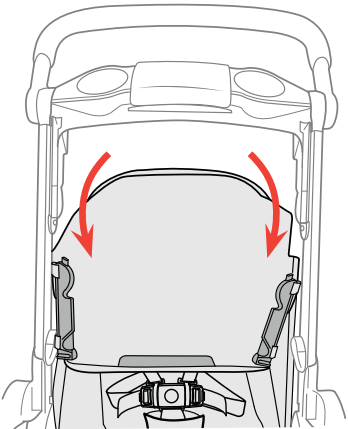
25B



25B. The fabric will still be attached to the Parent Tray, as shown. Lift up and remove the Flexible Tab from the groove on the Parent Tray. Fold the Flexible Tab and Fabric Clips forward.

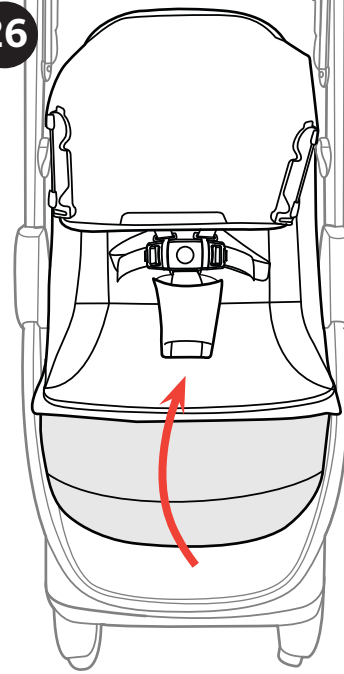


Flexible Tab

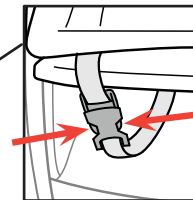
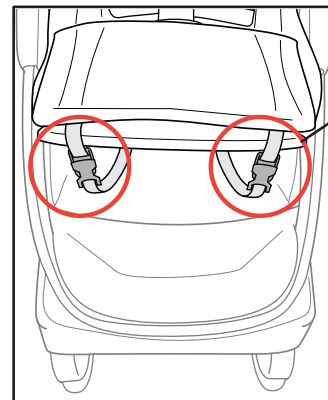


## How to Remove the Seat

26

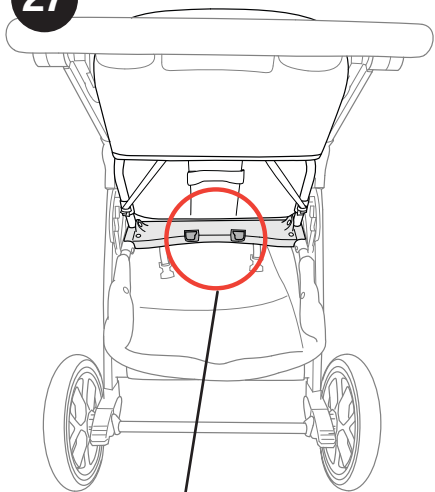


26. Lift up the Footrest Pad on the front of the stroller to locate two sets of straps. Both Straps have a Buckle under the Seat Pan. Reach under the Seat Pan and undo both Buckles.

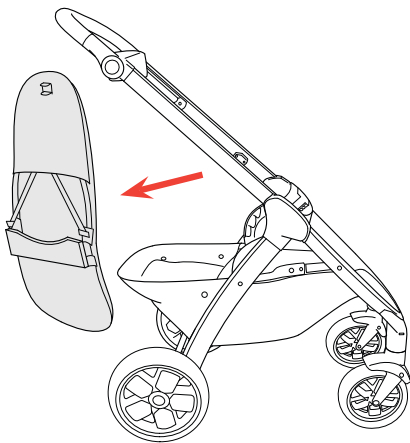
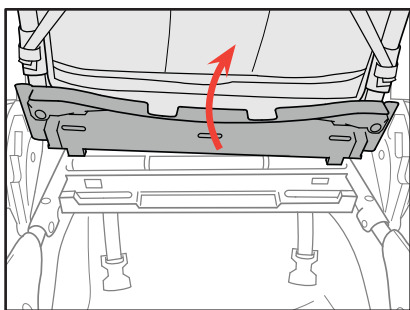
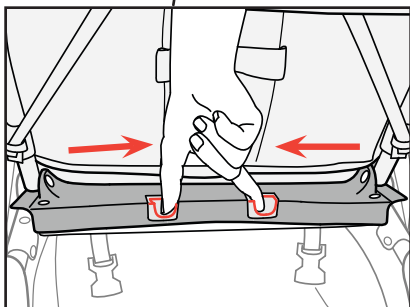


## How to Remove the Seat

27



27. Locate two Release Buttons at the back of the Seat. Press both Buttons together and at the same time tilt up. Remove the back section of the Seat Pan and Seat Pad Assembly.



## How to Use Car Seat Carrier Mode

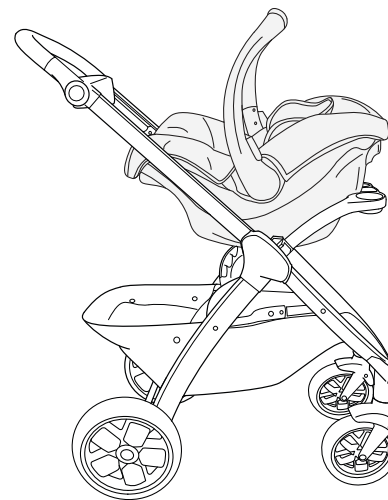
28



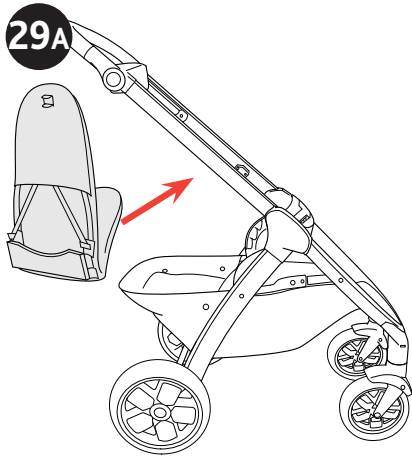
28. To use the Stroller as a Car Seat Carrier without the Stroller Seat attached, follow Steps 19 thru 20 to attach the Chicco infant car seat to the Stroller Frame.

Note: Stroller Canopy can be used in this Mode for additional coverage of the infant.

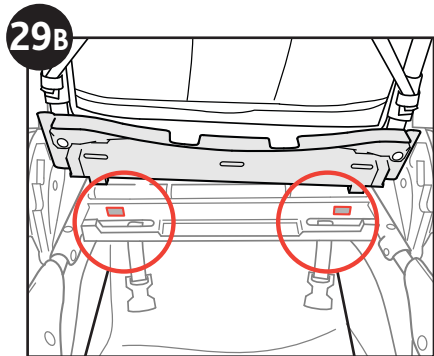
**Car Seat Carrier Only Mode**



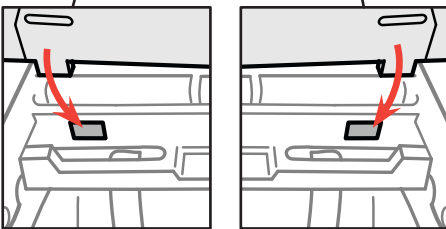
## How to Attach the Seat



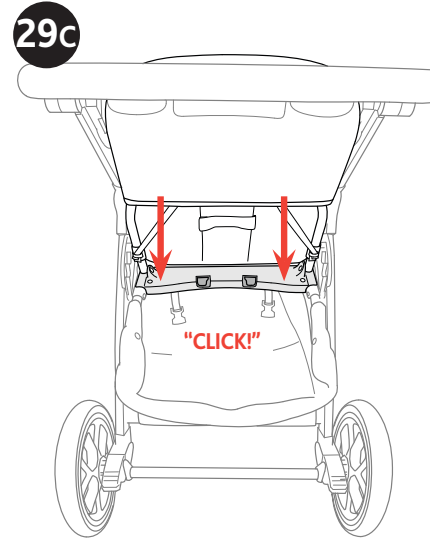
29A. Fold the bottom of the seat pad up to expose Seat Bracket. From the back of the stroller, insert the seat between the stroller frame and tilt the Seat Bracket to line up the tabs with the corresponding openings on the Seat Pan.



29B. Slide the tabs into the openings, to reattach the Stroller Seat .



## How to Attach the Seat



29C. Press down on the back edge of the Seat Bracket until it clicks into place, making sure both sides lock into the Stroller Frame. Then repeat steps 24-26 in reverse.

## Cleaning and Maintenance

This product requires regular maintenance. The cleaning and maintenance of the stroller must only be carried out by an adult.

### CLEANING

Please refer to the care label for instructions on cleaning the fabric parts of the stroller.

Periodically wipe clean plastic parts with a soft damp cloth. Always dry the metal parts to prevent the formation of rust if the stroller has come into contact with water.

### MAINTENANCE

Lubricate the moving parts only if necessary, with a light application of a silicone based lubricant. Periodically check the condition of the wheels, and keep them clean of dust and sand. To avoid friction that may prevent the correct operation of the stroller, ensure that all the movable plastic parts placed along the metal frame are clean of dust, dirt or sand. Keep the stroller in a dry place. Prolonged exposure to direct sunlight may cause the fabric to fade.

## For More Information

If you have any questions or comments about this product, or are missing any of the parts please do not return this product to the store. Contact us in one of the following ways:



(877)-424-4226



info.usa@artsana.com



www.chiccousa.com



1826 William Penn Way  
Lancaster, PA 17601



[www.chiccousa.com](http://www.chiccousa.com)